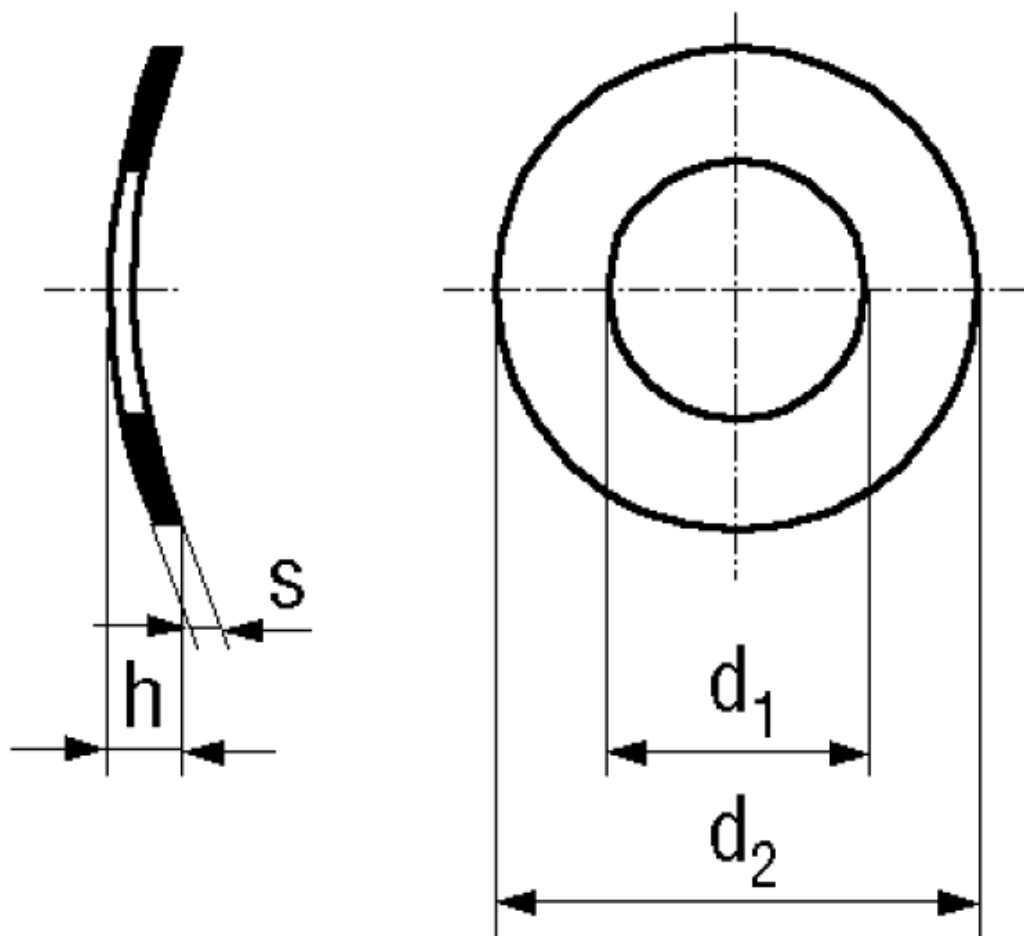


BN 590 - DIN 137 A

Curved spring washers

DIN 137 A
~UNI 8840A



Material Surface

Article No. - 1227742	
for thread	M8
d_1	8,4
d_2	15
h min.	1,7
s	0,5

DIN 137: Form A is no longer in force.
We recommend DIN 137 B for new construction.