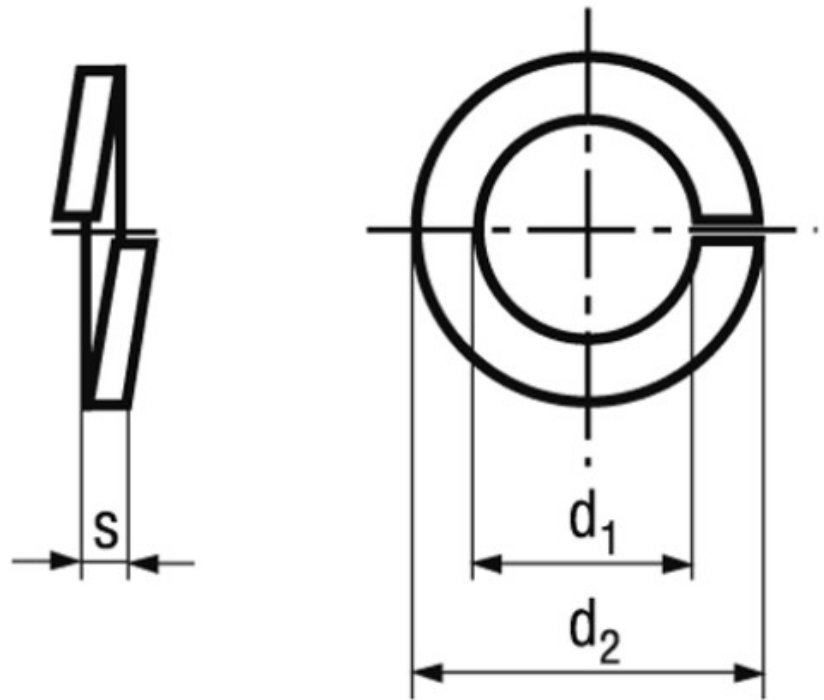


BN 5258 - DIN 7980

Helical spring lock washers
for screws with cylindrical head

DIN 7980



Material Quality

Article No. - 3062117	
for thread	M8
d ₁ min.	8,1
d ₁ max.	8,5
d ₂ max.	12,7
s	2

DIN 7980: Standard abolished