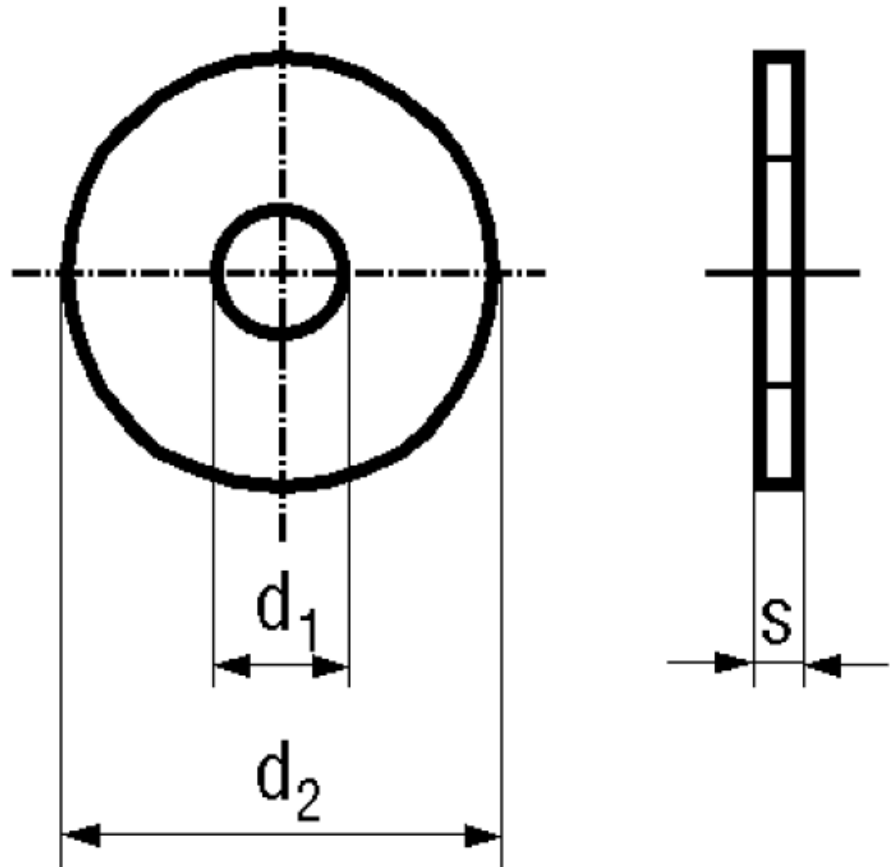


BN 1684 - DIN 9021 - ~ISO 7093

Flat washers
without chamfer

DIN 9021
~ISO 7093
~UNI 6593



Material	Stainless steel	Hardness	140HV
Quality	A4		

Article No. - 1755838

fit for	M8
d_1	8,4
d_2	24
s	2