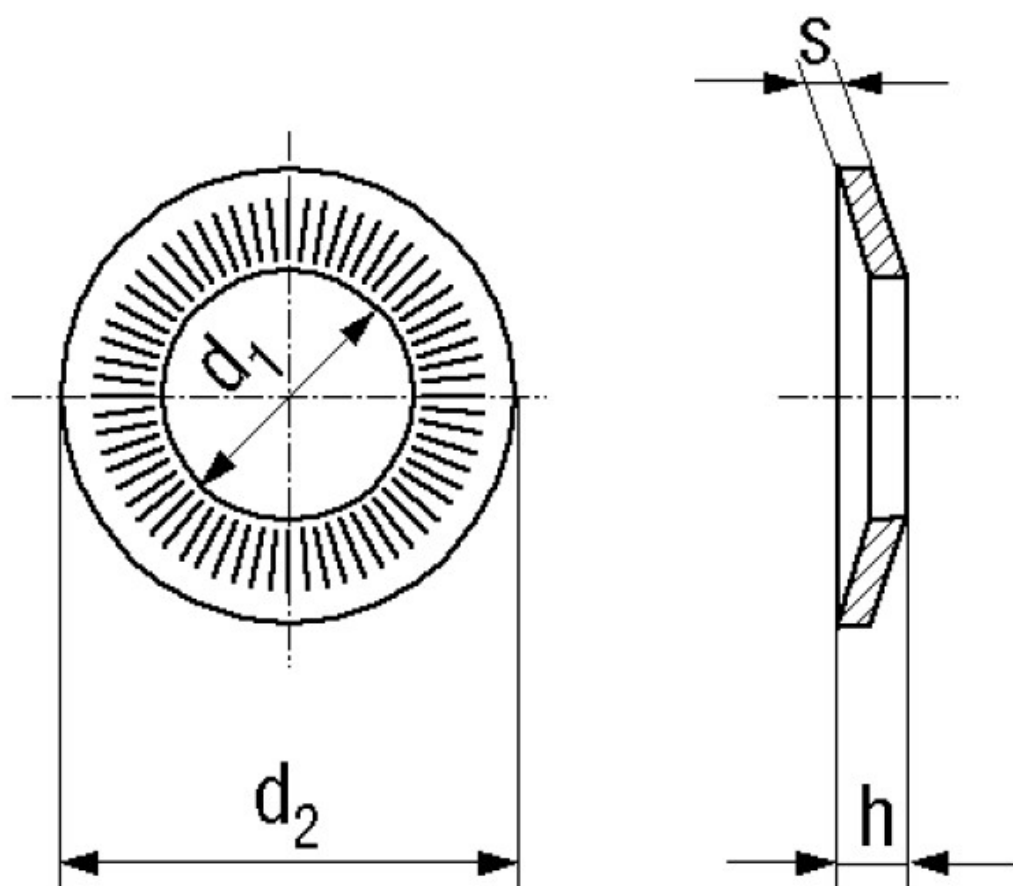


BN 13292

Lock washers

~NF E 25-511



Trade mark

Rip-Lock

Surface

zincflake coated

Material

Spring steel

Article No. - 1558560

for thread	M8
d_1 min.	8,2
d_2	18
h max.	2,35
s	1,4