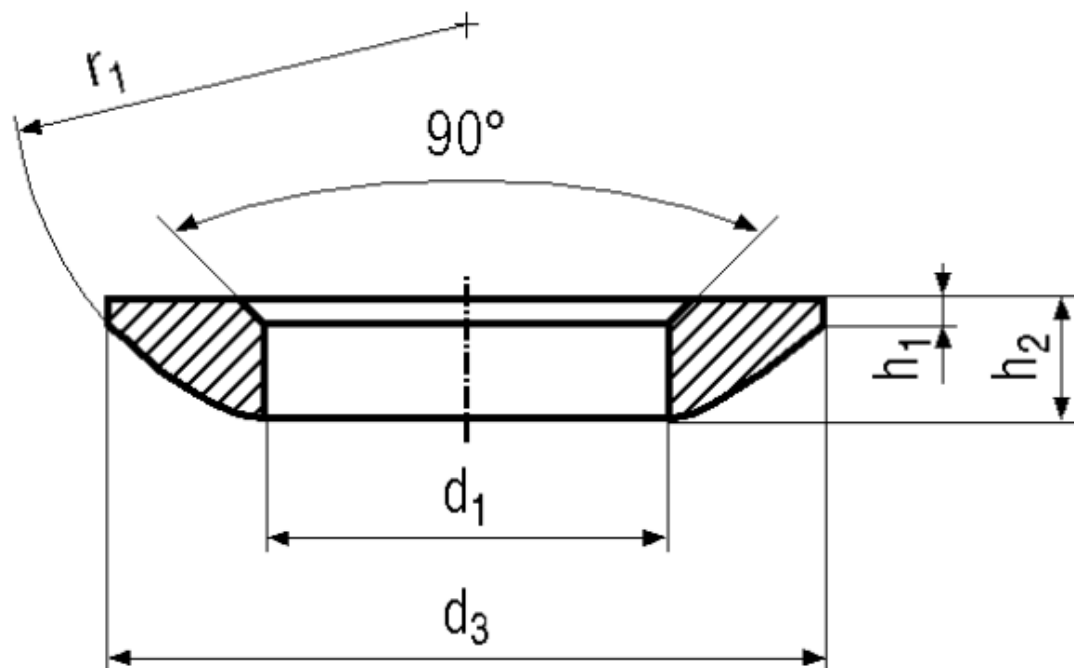


BN 10614 - DIN 6319 C

Spherical washers
case-hardened

DIN 6319 C



Material	Steel case-hardened	Surface	phosphated and lubricated
----------	---------------------	---------	---------------------------

Article No. - 3060644

for thread	M8
d_1	8,4
d_3	17
h_1	0,6
h_2	3,2
r_1	12
Übertragbare statische Schraubenkraft [kN] max. (en)	17