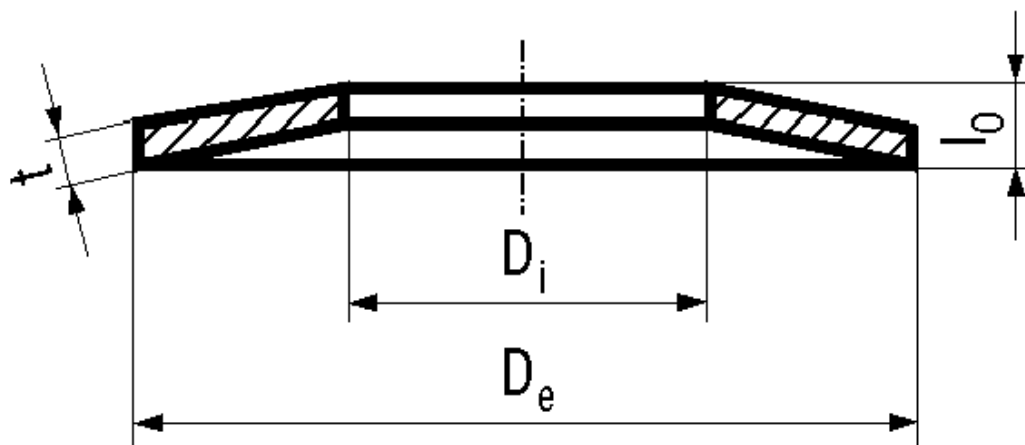


BN 838

Disc springs
works standard



Material	Stainless steel	Quality	1.4310
----------	-----------------	---------	--------

Article No. - 3062667

De	8
Di	4,2
t	0,2
lo	0,45
$0.75 h_0$	36 N

$$h_0 = l_0 - t$$

A2 / 1.4310: At manufacturer's option