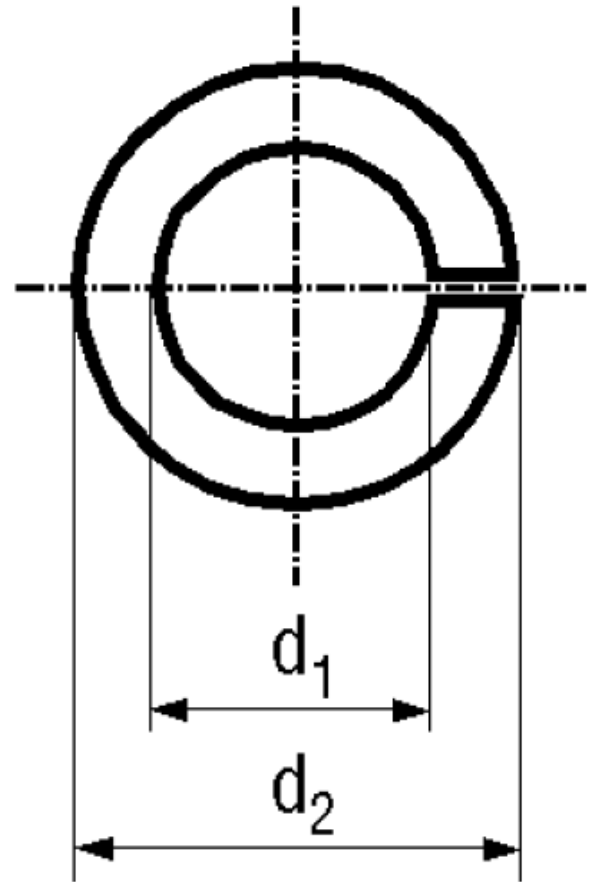


BN 673 - DIN 127-B

Helical spring lock washers with flat end

DIN 127-B
~UNI 1751 B



Material	Stainless steel	Quality	A4
----------	-----------------	---------	----

Article No. - 1253816	
for thread	M6
d ₁ min.	6,1
d ₁ max.	6,5
d ₂ max.	11,8
s	1,6

DIN 127: Standard withdrawn.

Material: A2 / 1.4310 At manufacturer's option.

We recommend DIN 128 A (curved spring lock washers) for new constructions: BN 674 / BN 8856.