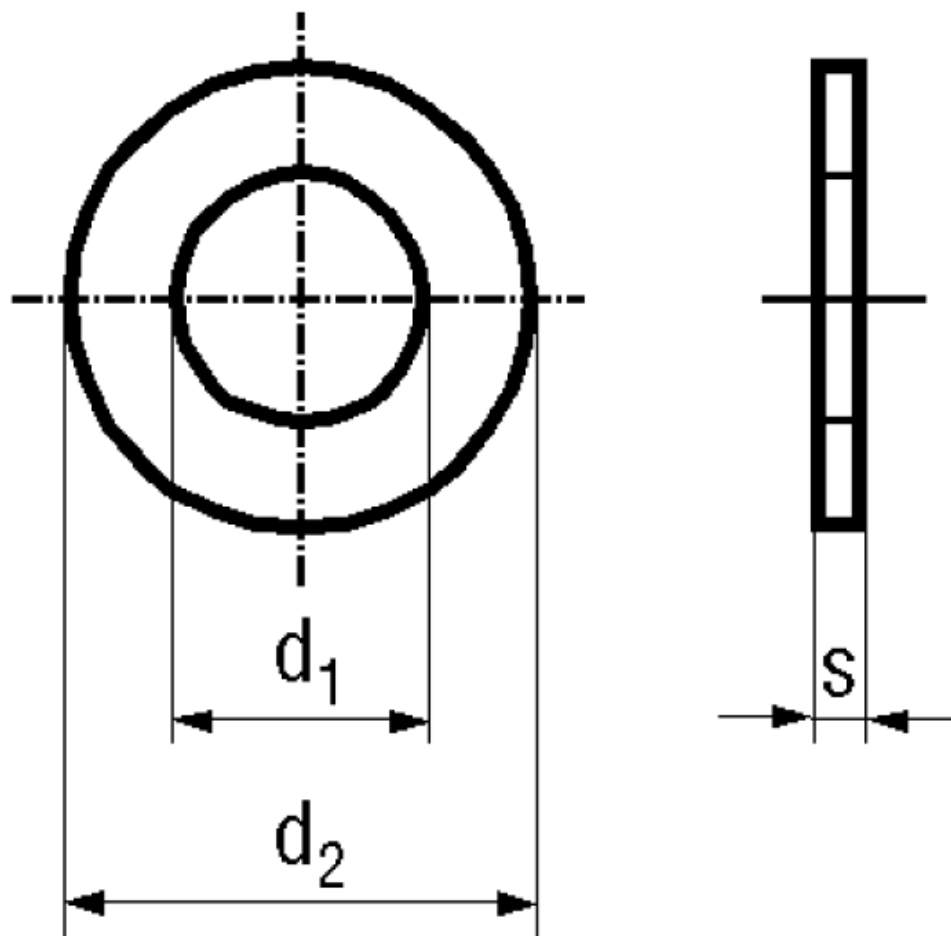


BN 584 - DIN 125 A - ~ISO 7089

Flat washers
without chamfer
punched

DIN 125 A
~ISO 7089
~UNI 6592



Material Surface

Article No. - 1761358	
fit for	M6
d_1	6,4
d_2	12
s	1,6

DIN 125: Standard withdrawn