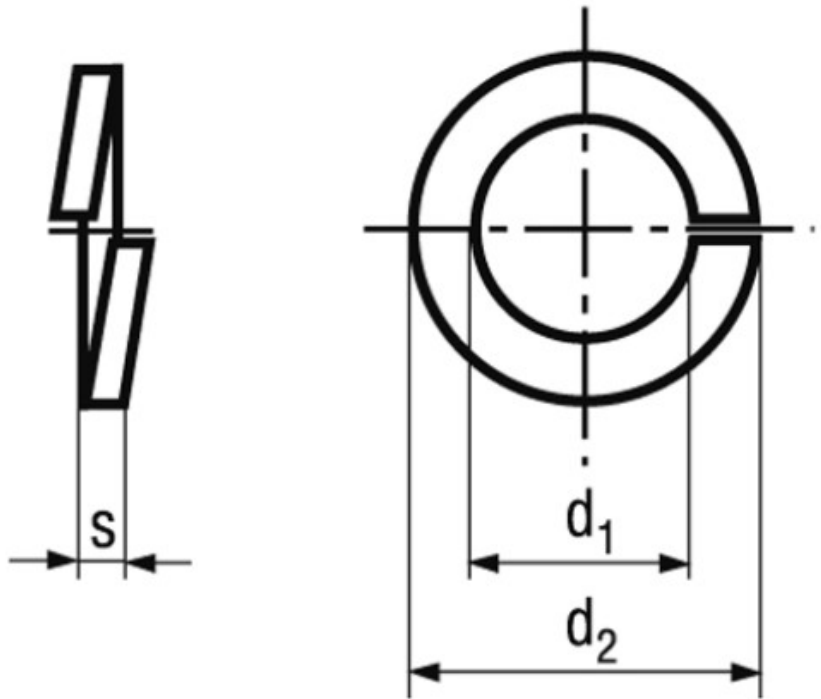


BN 5258 - DIN 7980

Helical spring lock washers
for screws with cylindrical head

DIN 7980



| | | | |
|----------|------------------------|---------|-----------|
| Material | Stainless steel | Quality | A2 |
|----------|------------------------|---------|-----------|

| Article No. - 3062116 | |
|-----------------------|-----|
| for thread | M6 |
| d ₁ min. | 6,1 |
| d ₁ max. | 6,5 |
| d ₂ max. | 9,9 |
| s | 1,6 |

DIN 7980: Standard abolished