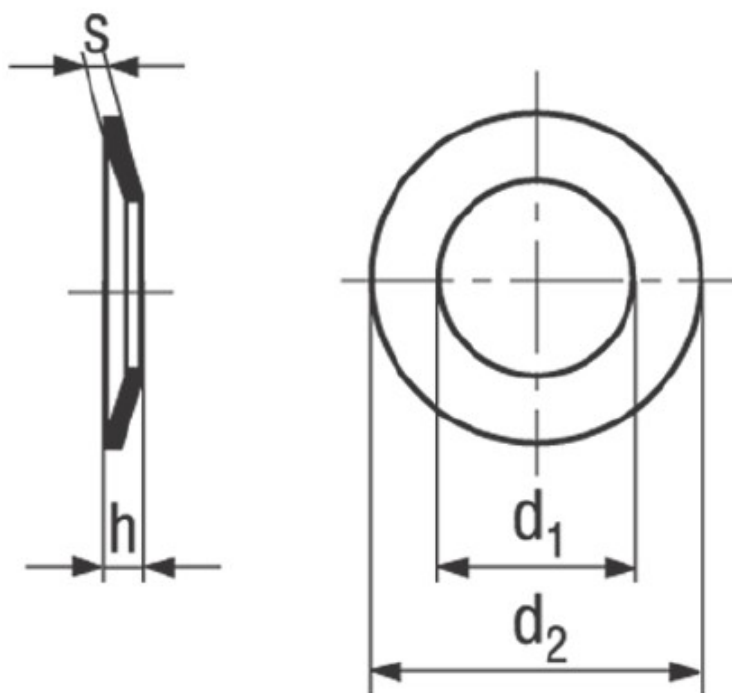


BN 1374 - DIN 6796

Conical spring washers
for fastening joints

DIN 6796
~UNI 8836



Material	Spring steel	Hardness	420-510 HV
Surface	phosphated		

Article No. - 1144944		
for thread		M6
d_1		6,4
d_2		14
h min.		1,7
h max.		2
s		1,5