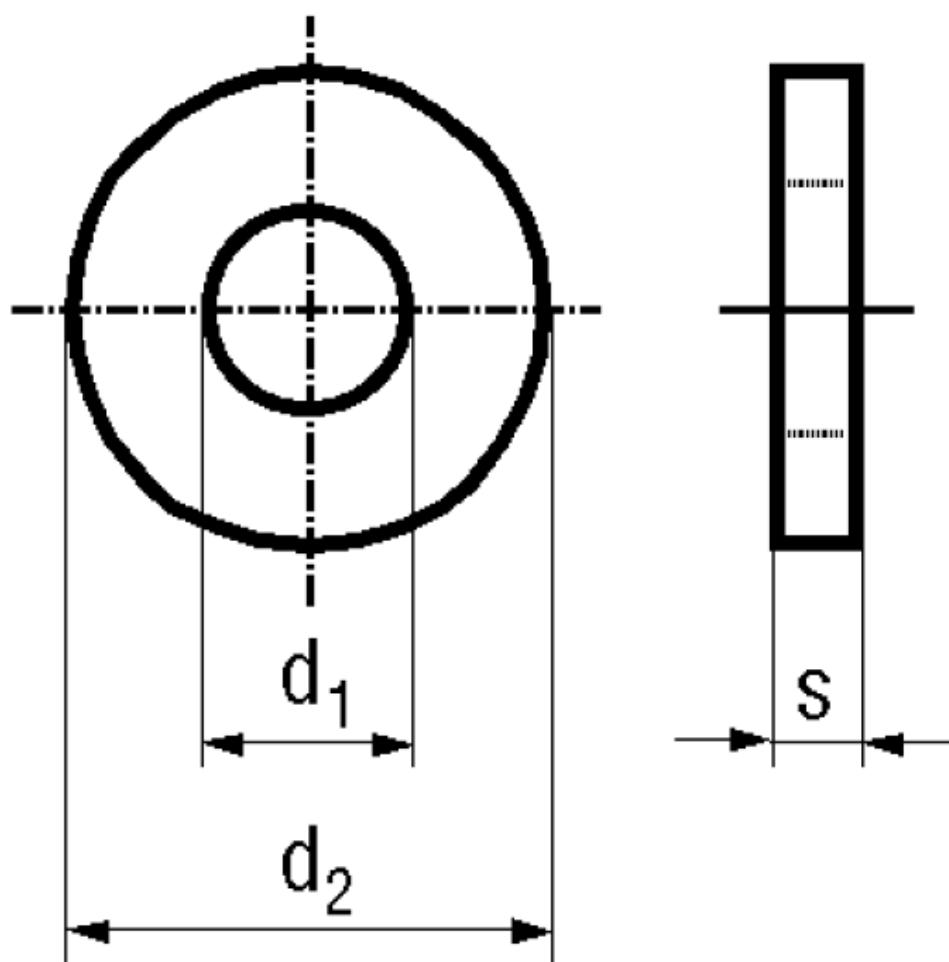


BN 733 - DIN 7349

Flat washers
without chamfer, for bolts with heavy
duty type spring pins

DIN 7349



Material Surface

Article No. - 1270559

for thread	M5
d_1	5,3
d_2	15
s	2