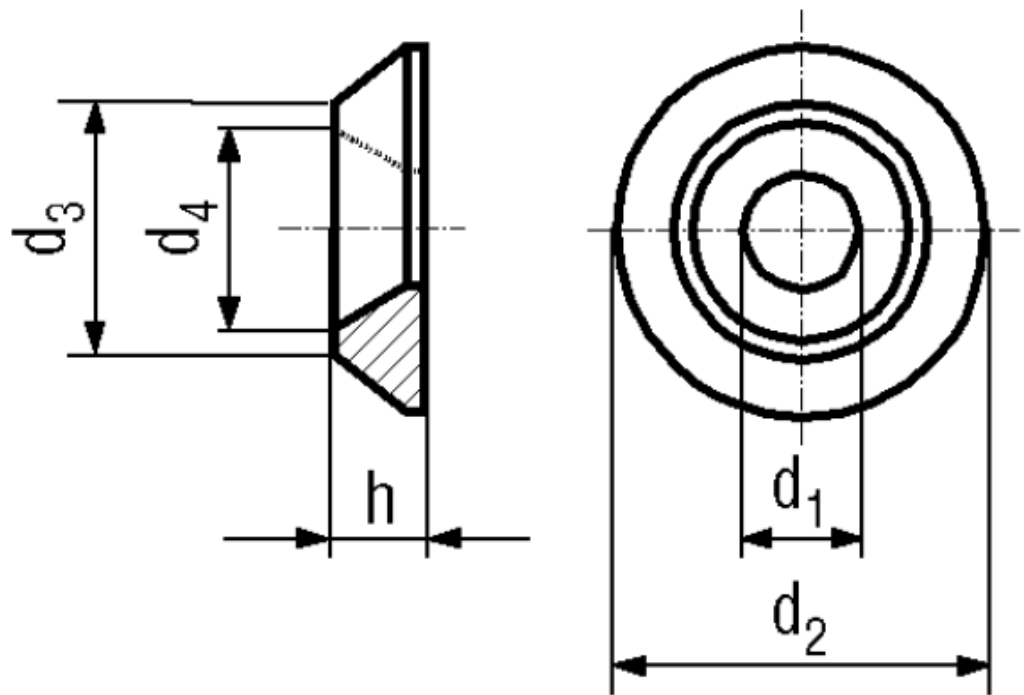


BN 4879

Finishing washers
for 90° countersunk head screws

SN 213912



Material	Stainless steel	Quality	A1
----------	-----------------	---------	----

Article No. - 1184172	
fit for	M5
d ₁ min.	5,3
d ₂ max.	16
d ₃	11,5
d ₄ min.	10,4
h min.	2,8