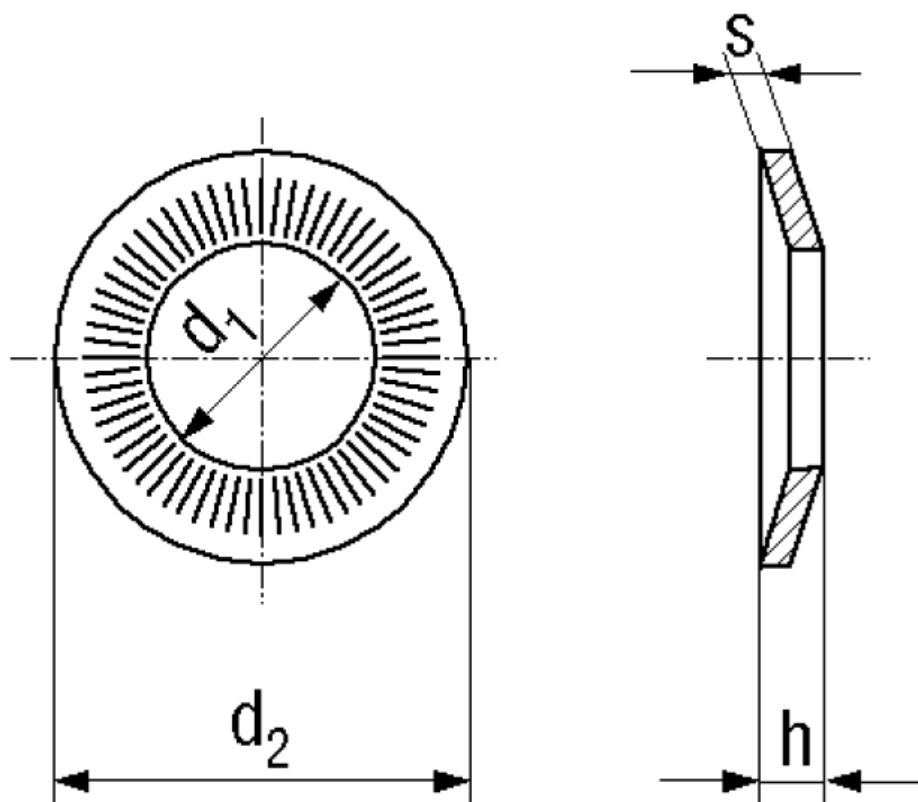


## BN 2332

Lock washers

~NF E 25-511 M



Trade mark	Rip-Lock	Quality	A2 with eco-lubric® Silver
Material	Stainless steel		

### Article No. - 2064146

for thread	M5
d <sub>1</sub>	5,1
d <sub>2</sub>	12
h	1,8
s	1,1

eco-lubric® dry coating is a non-electrolytically applied, thin coating with integrated lubricating properties and additional corrosion protection.

Certificate 3.1 according to EN 10204 is available on request for specific properties such as friction coefficients.