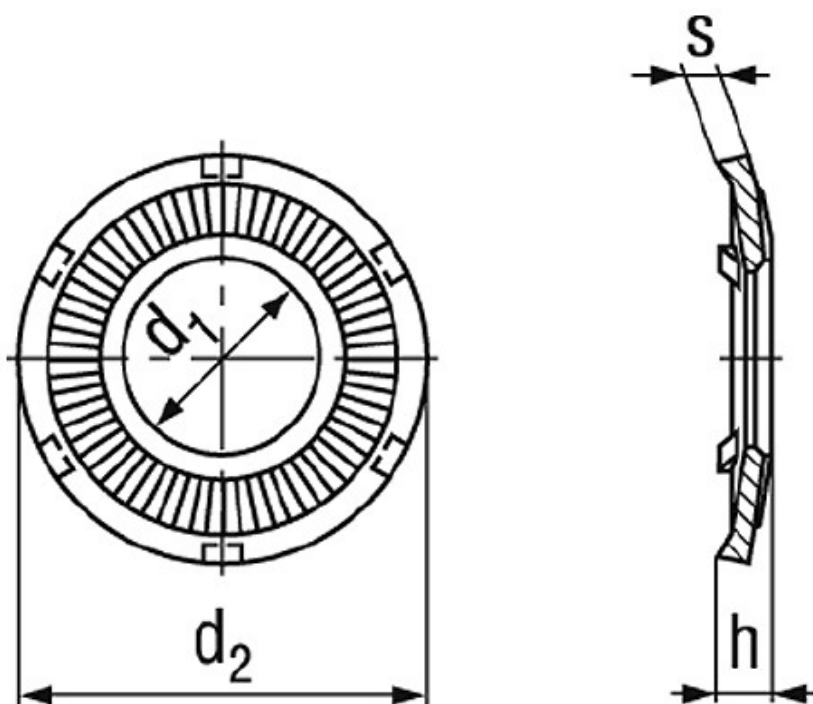


## BN 20192

Toothed contact washers



Trade mark	Rip-Lock	Surface	mechanical plated, with thick layer passivation
Material	Spring steel		

### Article No. - 3353162

for thread	M5
$d_1$ min.	5,1
$d_2$	10
$h$ max.	1,5
$s$	1