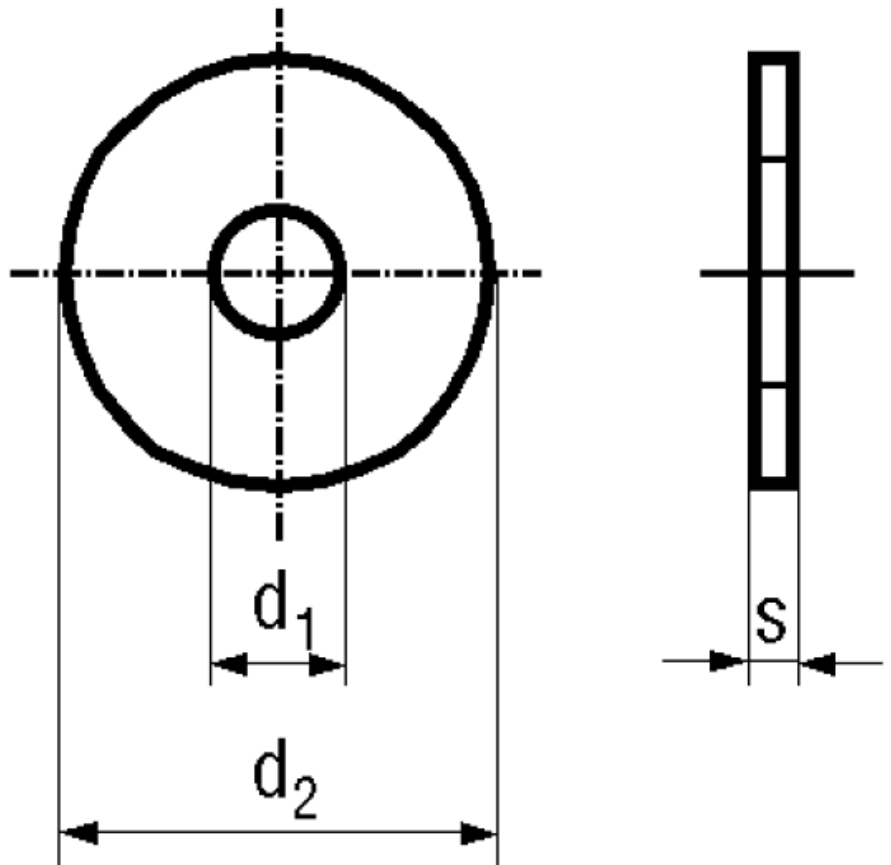


BN 1356 - DIN 9021 - ~ISO 7093

Flat washers
without chamfer

DIN 9021
~ISO 7093
~UNI 6593



Material	Stainless steel	Hardness	140 HV
Quality	A2	Hardness grade	140 HV

Article No. - 1755609	
fit for	M5
d_1	5,3
d_2	15
s	1,2

DIN 9021: Standard withdrawn