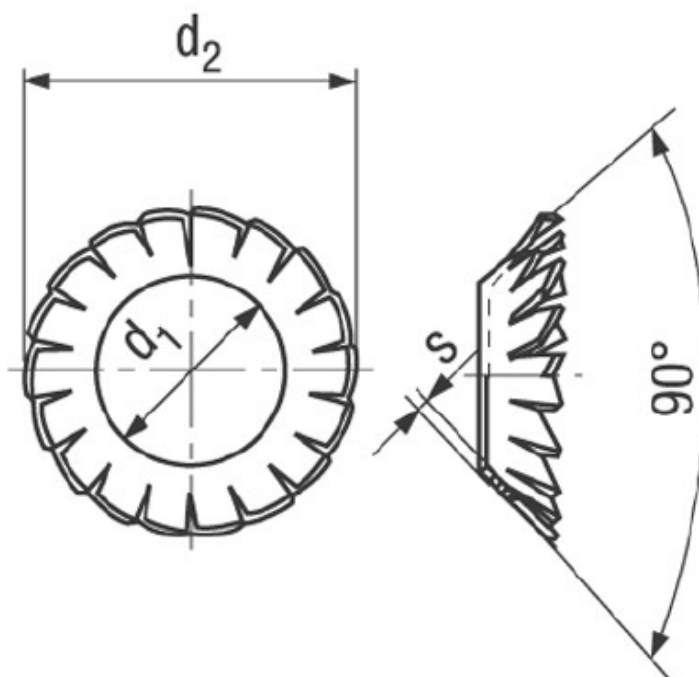


## BN 786 - DIN 6798 V

Serrated lock washers  
type V, for countersunk head screws

DIN 6798 V  
~UNI 8842 V



Material	Spring steel	Hardness	350-425 HV
Surface	black		

### Article No. - 1278797

for thread	M4
$d_1$ min.	4,3
$d_2$ ~	8
s	0,25

DIN 6798: Standard withdrawn