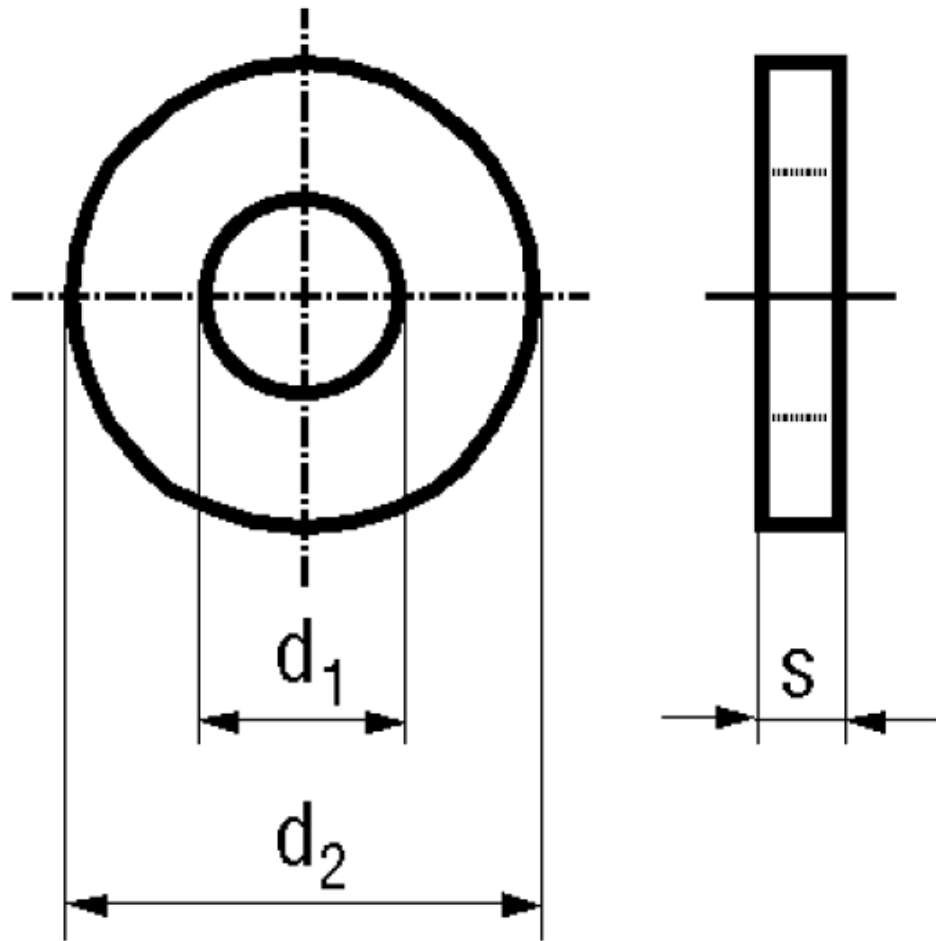


BN 733 - DIN 7349

Flat washers
without chamfer, for bolts with heavy
duty type spring pins

DIN 7349



Material Surface

Article No. - 1270540	
for thread	M4
d_1	4,3
d_2	12
s	1,6