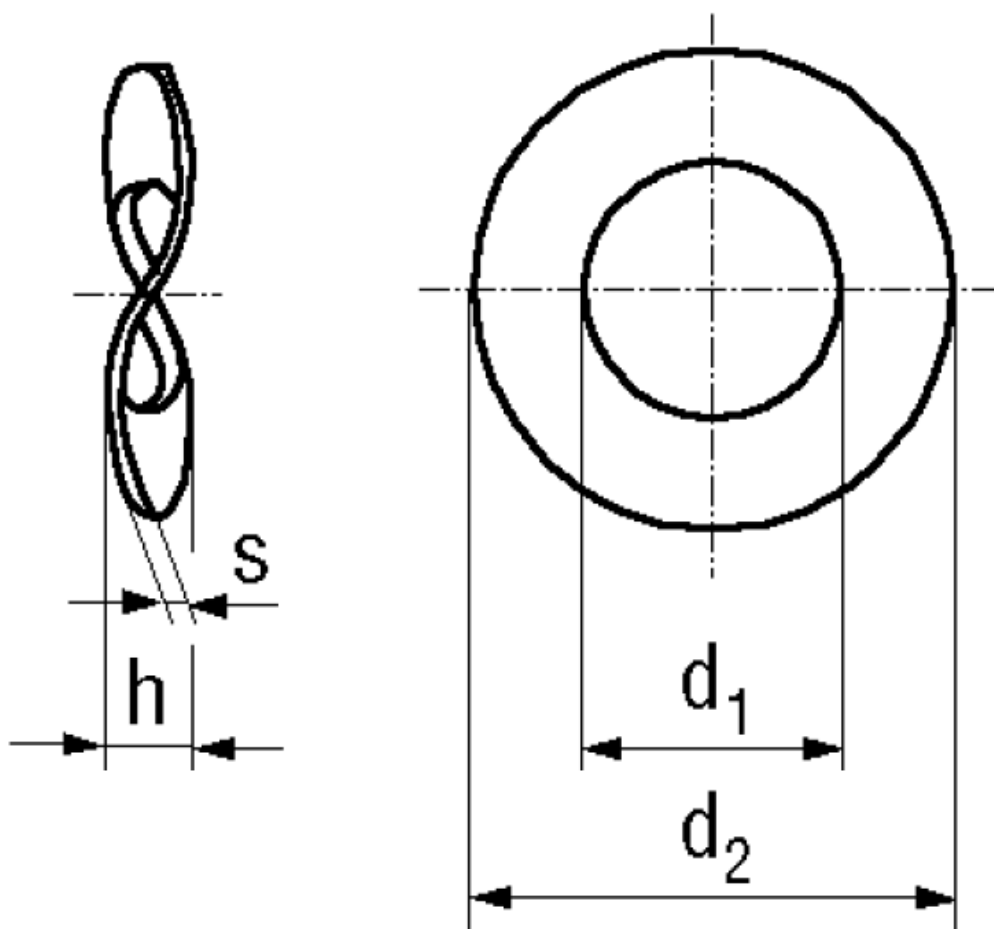


## BN 798 - DIN 137 B

Waved spring washers

DIN 137 B  
~UNI 6598



Material	Spring steel	Hardness	430-530 HV
Surface	mechanical zinc plated blue		

Article No. - 1280740	
for thread	M3
d <sub>1</sub>	3,2
d <sub>2</sub>	8
h min.	0,8
s	0,5

Standard withdrawn

Fasteners property in steel > 320 HV zinc plated: susceptible to hydrogen embrittlement!

Other coatings upon request.