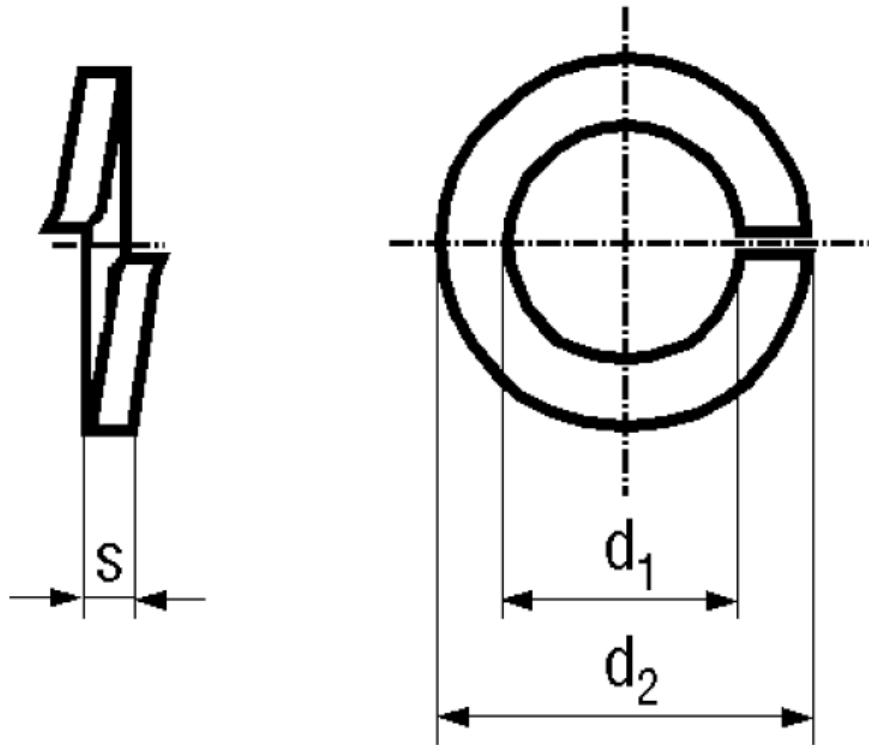


BN 760 - DIN 127 A

Helical spring lock washers
with bent end

DIN 127 A
~UNI 1751 A



Material	Spring steel	Hardness	HV 430-530
Surface	mechanical zinc plated blue		

Article No. - 1275178	
for thread	M3
d ₁ min.	3,1
d ₁ max.	3,4
d ₂ max.	6,2
s	0,8

DIN 127 A: This standard has been definitively abolished. We recommend DIN 128 (curved spring lock washers) for new constructions.

Alternative:

Depending on the technical manufacturing possibilities, spring steel elements are equally available with an inorganic or mechanical zinc-plating (availability, prices and delivery periods on request). These procedures exclude the risk of varied breakage due to hydrogen brittleness, this being liable to appear in acid baths or during electroplating (zinc-plating).