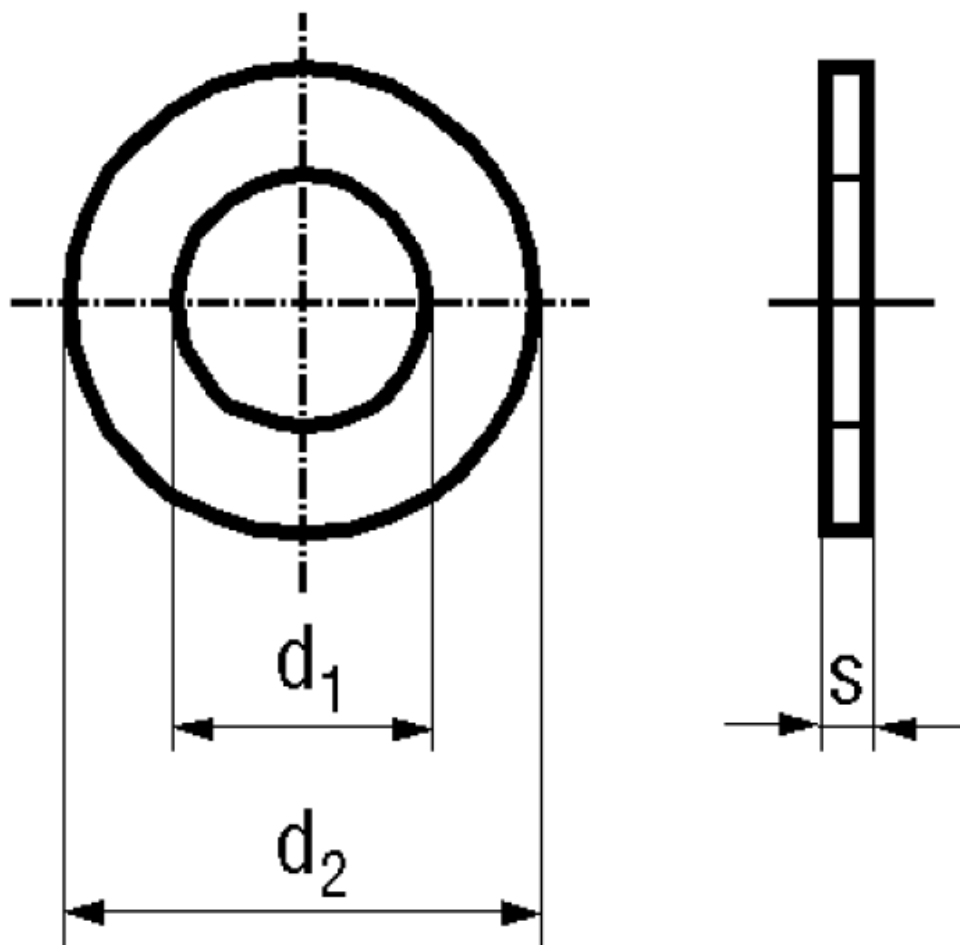


## BN 715 - DIN 125 A - ~ISO 7089

Flat washers  
without chamfer

DIN 125 A  
~ISO 7089  
VSM 13904  
~UNI 6592



Material	Steel	Hardness grade	140 HV
Surface	zinc plated blue		

Article No. - 1887467	
for thread	M3
$d_1$	3,2
$d_2$	7
$s$	0,5

M4,5: Not included in DIN 125 A, ISO 7089 and VSM 13904  
M1,7; M2,3; M2,6; M7; M18; M22; M27: Not included in ISO 7089