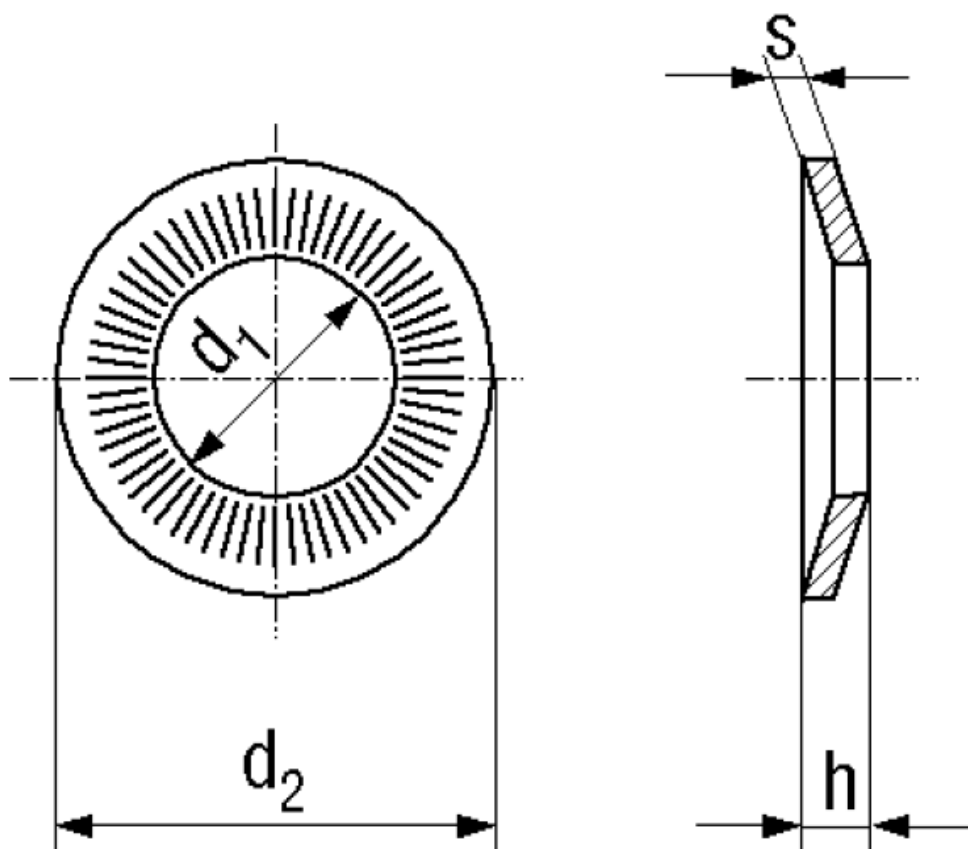


BN 2332

Lock washers

~NF E 25-511 M



Trade mark	Rip-Lock	Quality	A2 with eco-lubric® Silver
Material	Stainless steel		

Article No. - 2064111

for thread	M3
d ₁	3,1
d ₂	8
h	1
s	0,6

eco-lubric® dry coating is a non-electrolytically applied, thin coating with integrated lubricating properties and additional corrosion protection.

Certificate 3.1 according to EN 10204 is available on request for specific properties such as friction coefficients.