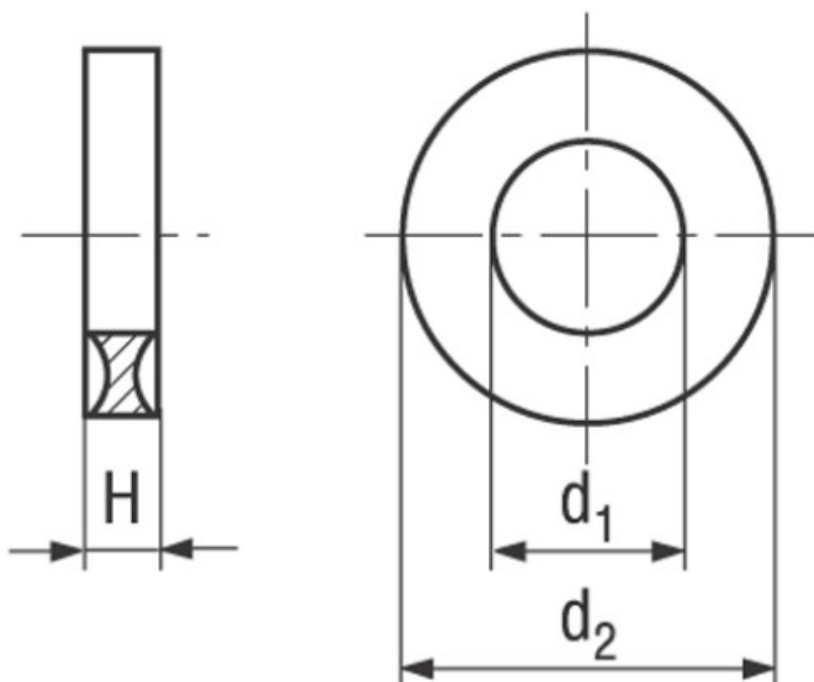


## BN 1078

Locking and sealing rings



Trade mark	Dubo®	Color	white
Material	Polyamide 6	Quality	PA 6

Article No. - 1405314	
for thread	M2
Ww	-
d <sub>1</sub>	2,1
d <sub>2</sub>	5,3
H	1,5

Important: For screws 8.8 and larger use toothed lock washers BN 1080.  
Operating temperature range: -60 °C to +80 °C.