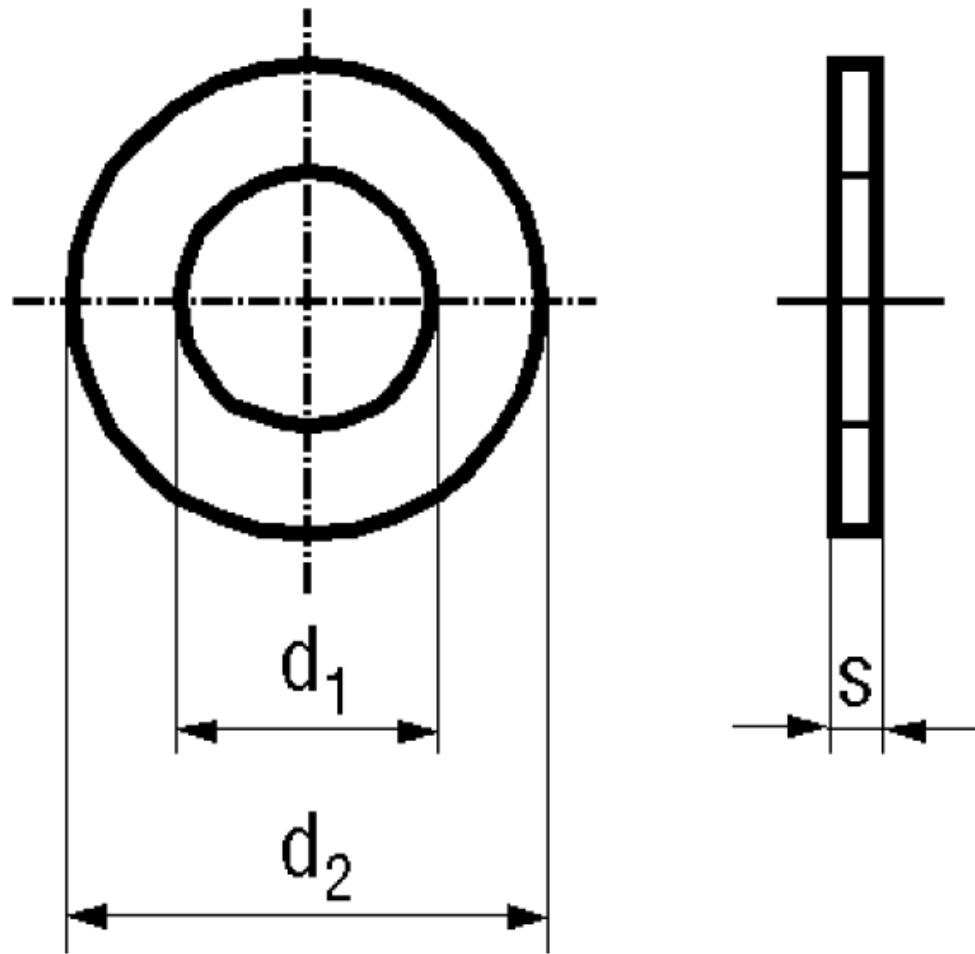


BN 671 - DIN 125 A - ~ISO 7089

Flat washers
without chamfer

DIN 125 A
~ISO 7089
VSM 13904
~UNI 6592



| | | | |
|----------|------------------------|----------------|---------------|
| Material | Stainless steel | Hardness grade | 140 HV |
| Quality | A4 | | |

| Article No. - 1755560 | |
|-----------------------|------|
| fit for | M2,5 |
| d_1 | 2,7 |
| d_2 | 6 |
| s | 0,5 |

DIN 125: Standard withdrawn