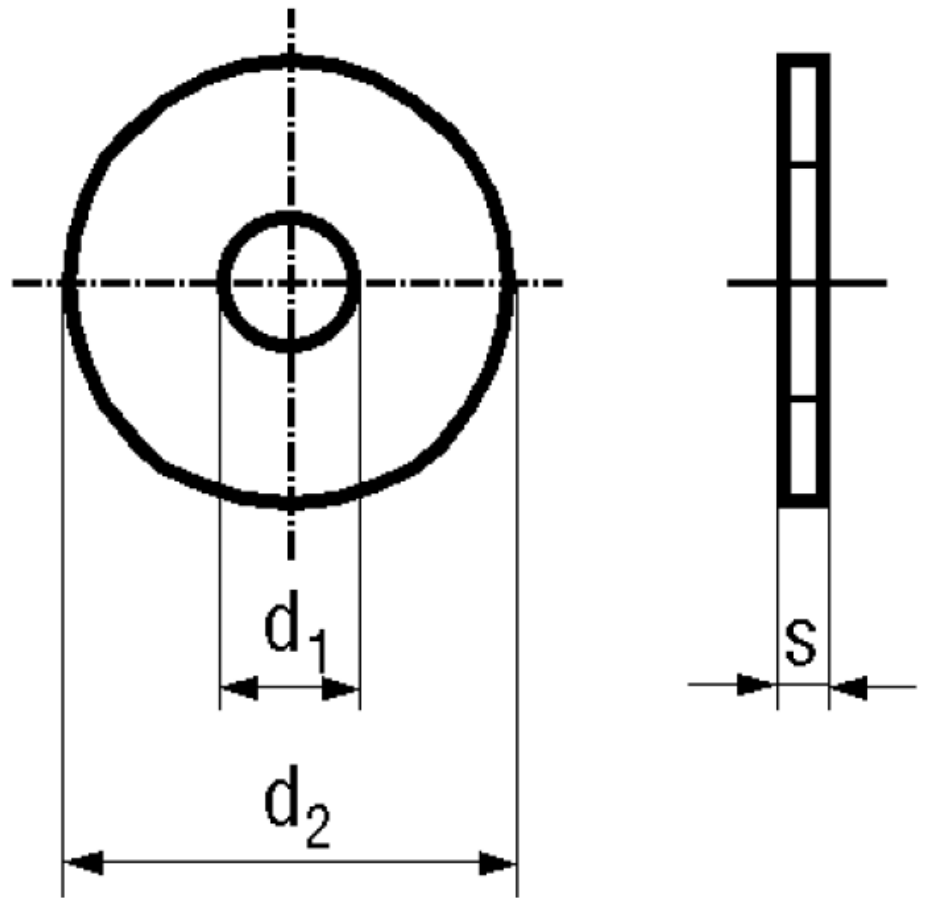


BN 729 - DIN 9021 - ~ISO 7093

Flat washers
without chamfer

DIN 9021
~ISO 7093
~UNI 6593



| | | | |
|----------|------------------|----------------|---|
| Material | Steel | Hardness | 140 HV / 100 HV |
| Surface | zinc plated blue | Hardness grade | 140 HV for \leq M16 (Product grade A), 100 HV for $>$ M16 (Product grade C) |

| Article No. - 1270087 | |
|-----------------------|-----|
| for thread | M16 |
| d_1 | 17 |
| d_2 | 50 |
| s | 3 |

DIN 9021: Standard withdrawn