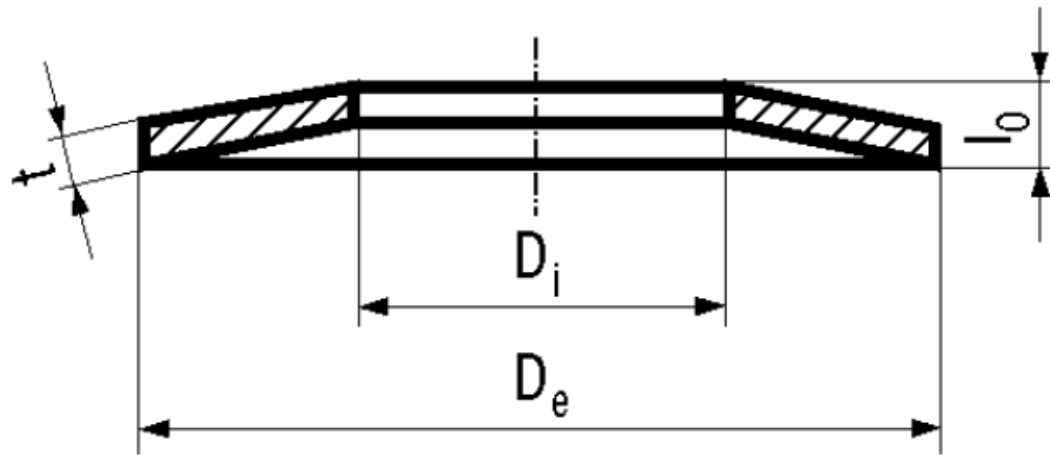


BN 804 - DIN 2093 A

Disc springs
Series A

DIN 2093 A
~UNI 8737 A



Material	Spring steel	Hardness	42-52 HRC
Surface	phosphated and lubricated		

Article No. - 1281585

d_1	8,2
D_i	8,2
t	0,9
l_0	1,25