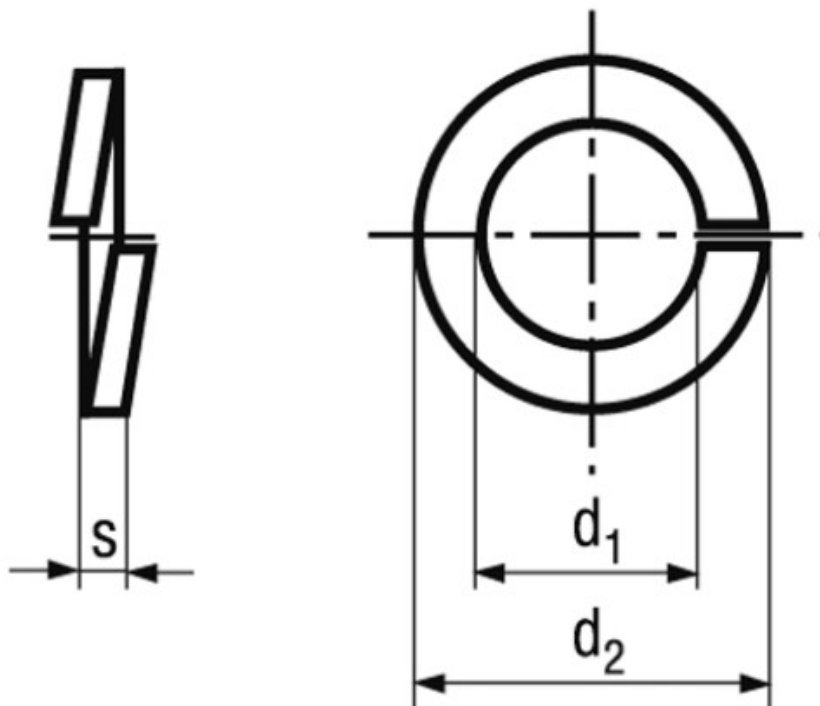


BN 5258 - DIN 7980

Helical spring lock washers
for screws with cylindrical head

DIN 7980



Material	Stainless steel	Quality	A2
----------	------------------------	---------	-----------

Article No. - 3062119

for thread	M12
d ₁ min.	12,2
d ₁ max.	12,7
d ₂ max.	18
s	2,5

DIN 7980: Standard abolished