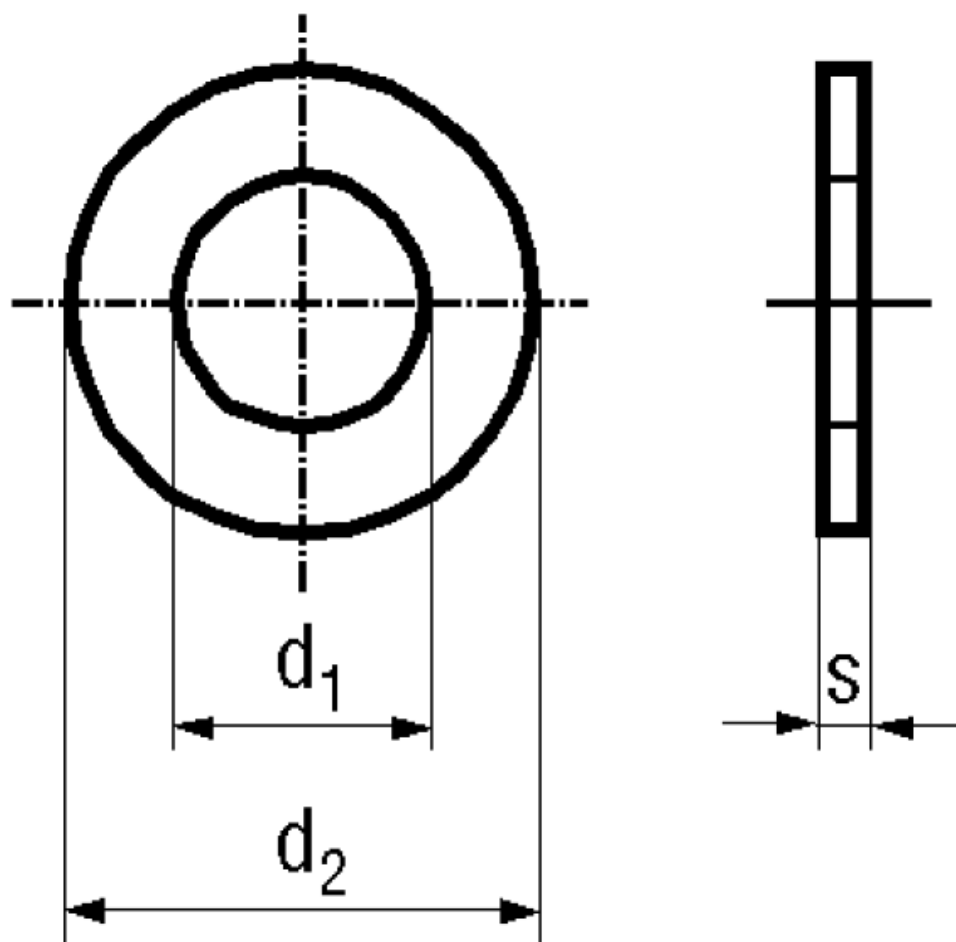


## BN 1414 - DIN 433 - ~ISO 7092

Flat washers  
without chamfer, for screws with  
cylindrical head

DIN 433  
~ISO 7092



Material	<b>Stainless steel</b>	Hardness	<b>140 HV</b>
Quality	<b>A2</b>	Hardness grade	<b>140 HV</b>

Article No. - 1170279	
fit for	M12
$d_1$	13
$d_2$	20
$s$	2

DIN 433: Standard withdrawn