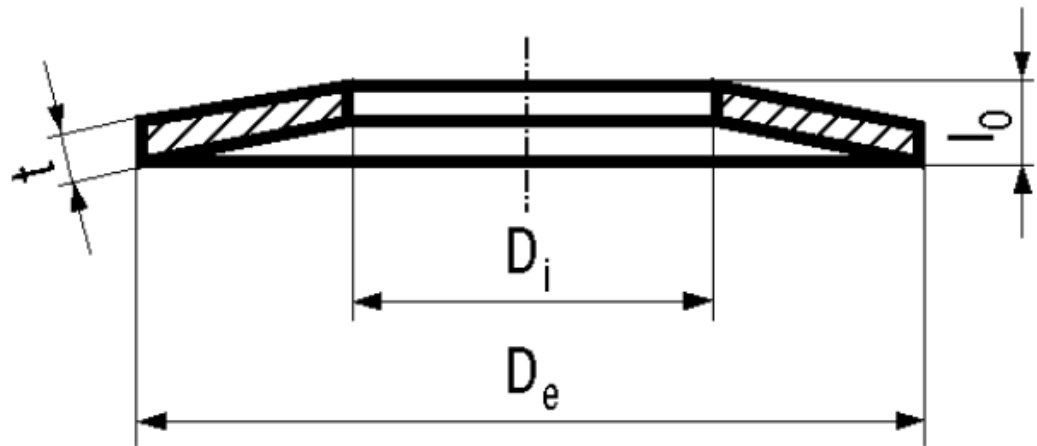


## BN 806

Disc springs  
works standard



Material	Spring steel	Hardness	42-52 HRC
Surface	phosphated and lubricated		

Article No. - 1282255	
De	10
Di	4,2
t	0,4
lo	0,7
0,5 h <sub>0</sub>	140 N
0,75 h <sub>0</sub>	189 N
0,9 h <sub>0</sub>	215 N

$$h_0 = l_0 - t$$

Disc springs thickness more than 6mm, with bearing surface and reduced thickness (t').