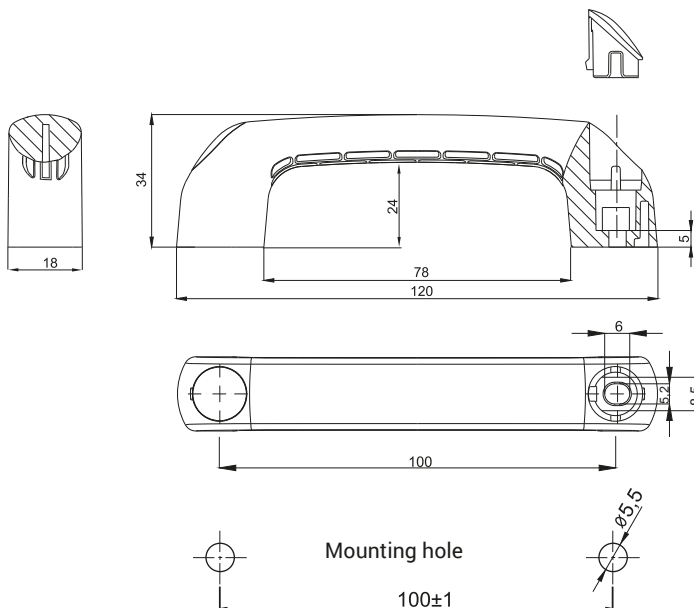


Handle PA 4.444.001



PLUG COLORS	
01	black
02	blue
03	red
04	green
05	yellow
06	grey



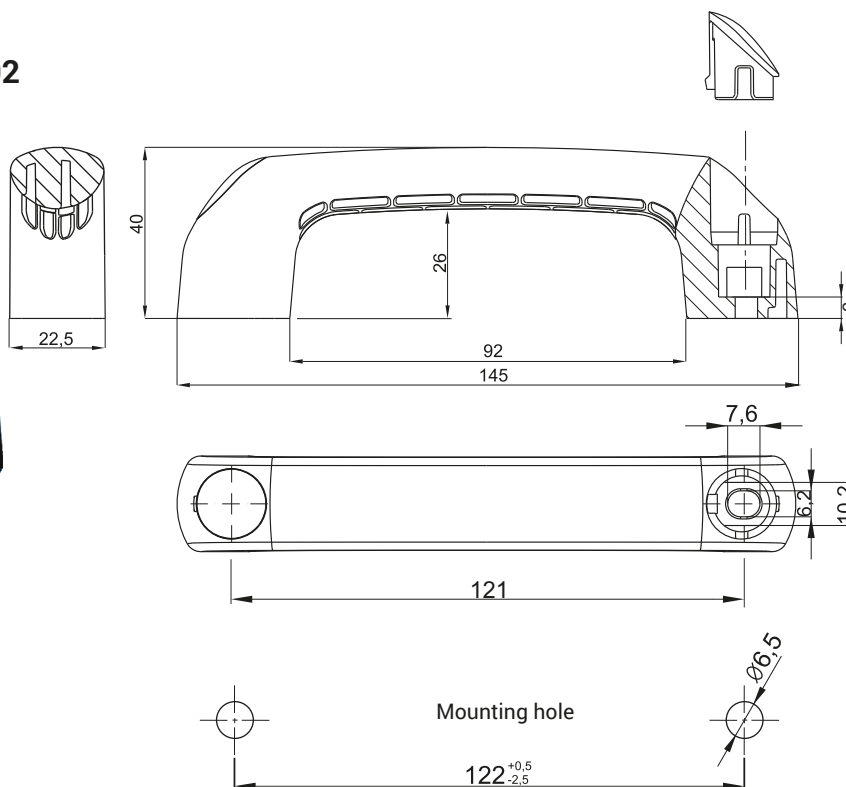
CAT. NUMBER	MATERIAL	LOAD CAPACITY
4.444.001...	Polyamide PA6 GF30 RAL 9005	54 kg

Note: handle colors on request

Handle PA 4.444.002



PLUG COLORS [C]	
01	black
02	blue
03	red
04	green
05	yellow
06	grey

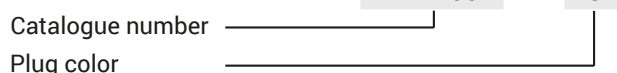


Construction design allows to mount the handle into the holes with a spacing of 120mm

CAT. NUMBER	MATERIAL	LOAD CAPACITY
4.444.002...	Polyamide PA6 GF30 RAL 9005	54 kg

Note: handle colors on request

How to order:



Mounting screws	4.444.001 M5	4.444.002 M6
		DIN 933
		DIN 7984
		DIN 965
		DIN 84