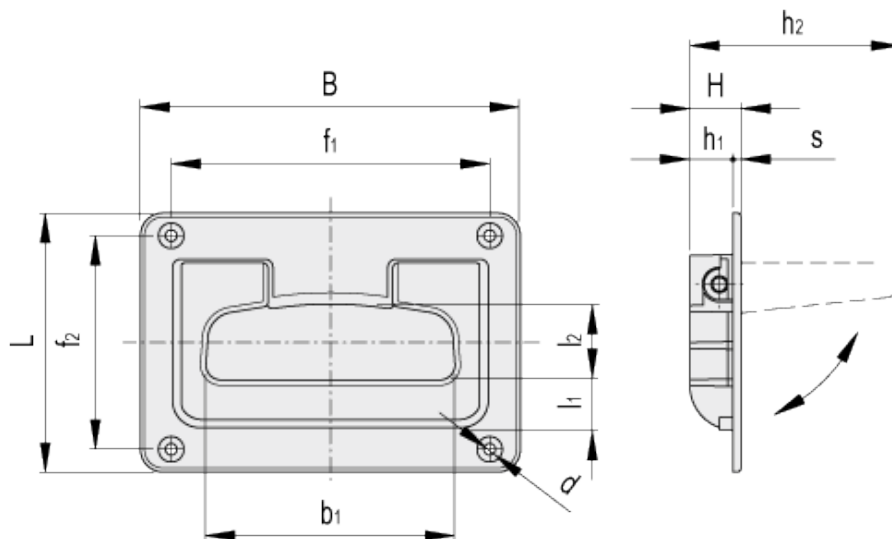


# MPR

Folding handle with recessed tray  
and return spring



ELESA Original design



## technical informations

### Material

Glass-fibre reinforced polyamide based (PA) technopolymer. Resistant to solvents, oils, greases and other chemical agents.

### Colour

Black, matte finish.

### Rotation pin and return springs

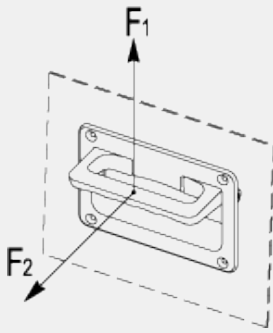
AISI 303 stainless steel pin, AISI 302 stainless steel springs.

### Standard execution

Pass-through holes for M4 countersunk-head screws (not supplied).

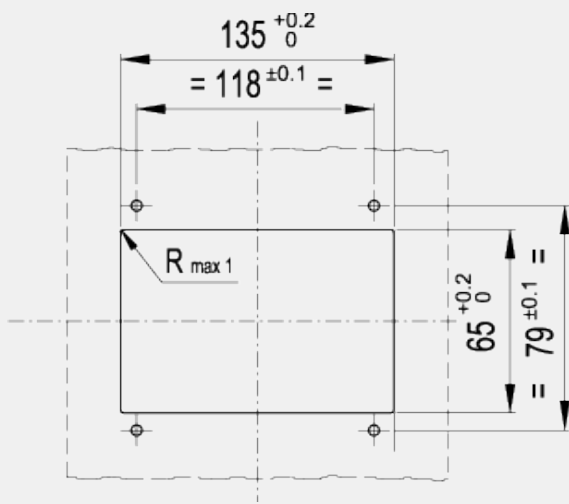
### Technical data

The lifting resistance (F1) and tensile strength (F2) values reported in the table are the result of permanent deformation by means of the appropriate dynamometric equipment under the test conditions shown in the figure with ambient temperature.



### Assembly instructions

Drill holes in the sheet according to the drilling template reported in the table.



Standard Elements		Main dimensions												F <sub>1</sub>	F <sub>2</sub>	Weight
Code	Description	B	L	H	f <sub>1</sub>	f <sub>2</sub>	h <sub>1</sub>	h <sub>2</sub>	b <sub>1</sub>	l <sub>1</sub>	l <sub>2</sub>	s	d	[N]	[N]	g
43851	MPR.141	141	96	19	118	79	16	63	90	16.5	29	3	4.2	1650	2400	146



ELESA-GANTER models all rights reserved in accordance with the law. Always mention the source when reproducing our drawings.

STANDARD MACHINE ELEMENTS WORLDWIDE