



# VC.253

## Shortened lobe knobs

Duroplast



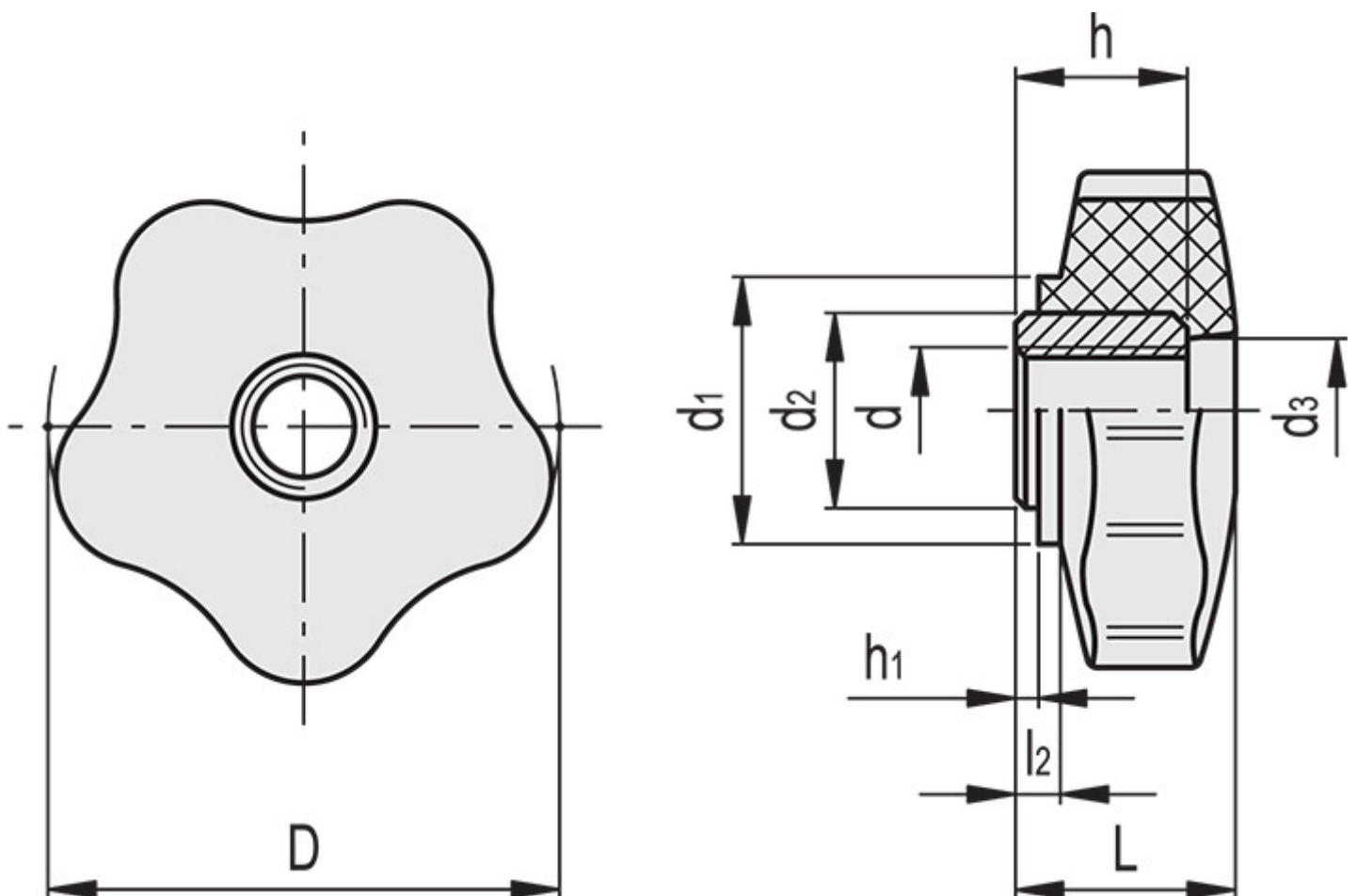
### Main specifications

#### Material

Phenolic based (PF) Duroplast, black colour, glossy finish.

#### Standard execution

Black-oxide steel boss, threaded pass-through hole.



Code	Description	D	d <sub>6H</sub>	L	d <sub>1</sub>	d <sub>2</sub>	d <sub>3</sub>	l <sub>2</sub>	h	h <sub>1</sub>	Weight
<b>66951</b>	VC.253/40 A-M8	40	M8	19	23	17	14	3	15	1.5	38
<b>67001</b>	VC.253/40 A-M10	40	M10	19	23	17	14	3	15	1.5	34
<b>67011</b>	VC.253/40 A-M12	40	M12	19	23	17	14	3	15	1.5	30
<b>67101</b>	VC.253/50 A-M12	50	M12	21	26	19	14	3	16	1.5	50
<b>67201</b>	VC.253/60 A-M12	60	M12	24	30	19	16	4	16	1.5	75
<b>67301</b>	VC.253/85 A-M14	85	M14	30	32	18	18	6	22	1.5	135