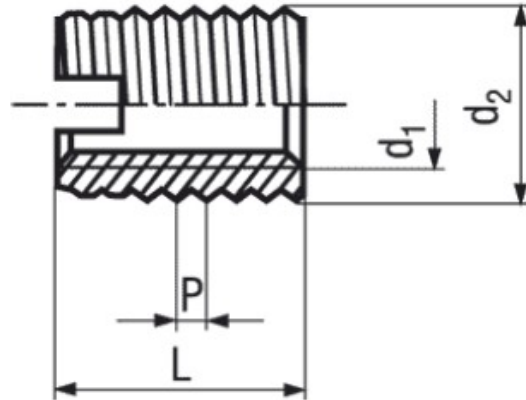


BN 903

Self cutting threaded inserts



Trade mark	Ensate®	Material	Brass
Type	302	Surface	plain

Article No. - 1372181

d_1	M4
P	0,75
d_2	6,5
L	8

Insertion tools: BN 1181 / BN 1182 / BN 1183 / BN 1185 / BN 1187