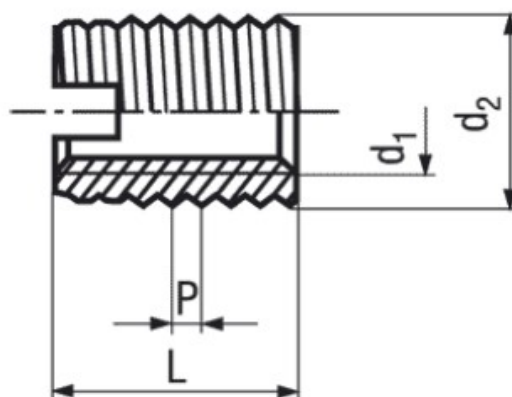


BN 902

Self cutting threaded inserts



| | | | |
|------------|--------|----------|---------------------|
| Trade mark | Ensat® | Material | Steel case-hardened |
| Type | 302 | Surface | zinc plated yellow |

Article No. - 1088122

| | |
|-------|-----|
| d_1 | M3 |
| P | 0,5 |
| d_2 | 5 |
| L | 6 |

Setting tools: BN 1181 / BN 1182