

# xirodur® B180 Polymer Ball Bearings | Product Range

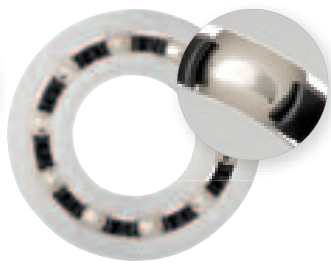
## Radial deep-groove ball bearings



From xirodur® B180  
PA cage, glass balls



+80 °C  
-40 °C



From xirodur® B180  
PA cage, stainless steel balls



+80 °C  
-40 °C

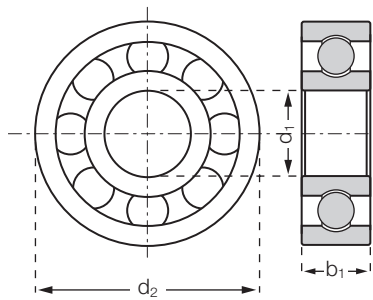
xiros® B180 polymer ball bearings are for use with temperatures up to +80 °C. The specially developed material xirodur® B180 provides significantly longer life times at a lower cost.

- Lubrication- and maintenance-free
- Non-magnetic and washable
- Corrosion-resistant
- Predictable lifetime
- Low weight
- For shaft diameters 3–60 mm
- Electrically insulating

## Dimensions [mm]

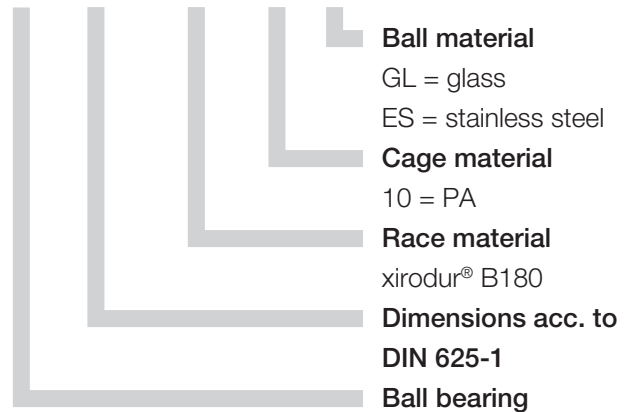
Part number	Race	Cage	Ball	Inner-Ø d1	Outer-Ø d2	Width b1
BB-623-B180-10-ES	B180	PA	1.4401	3	10	4
BB-626-B180-10-ES	B180	PA	1.4401	6	19	6
BB-608-B180-10-ES	B180	PA	1.4401	8	22	7
BB-6000-B180-10-ES	B180	PA	1.4401	10	26	8
BB-6001-B180-10-ES	B180	PA	1.4401	12	28	8
BB-6003-B180-10-ES	B180	PA	1.4401	17	35	10
BB-6004-B180-10-ES	B180	PA	1.4401	20	42	12
BB-6005-B180-10-ES	B180	PA	1.4401	25	47	12
BB-6006-B180-10-ES*	B180	PA	1.4401	30	55	13
BB-6007-B180-10-ES*	B180	PA	1.4401	35	62	14
BB-6008-B180-10-ES*	B180	PA	1.4401	40	68	15
BB-6009-B180-10-ES*	B180	PA	1.4401	45	75	16
BB-6010-B180-10-ES*	B180	PA	1.4401	50	80	16
BB-6011-B180-10-ES*	B180	PA	1.4401	55	90	18
BB-6012-B180-10-ES*	B180	PA	1.4401	60	95	18
BB-623-B180-10-GL	B180	PA	Glass	3	10	4
BB-626-B180-10-GL	B180	PA	Glass	6	19	6
BB-608-B180-10-GL	B180	PA	Glass	8	22	7
BB-6000-B180-10-GL	B180	PA	Glass	10	26	8
BB-6001-B180-10-GL	B180	PA	Glass	12	28	8
BB-6003-B180-10-GL	B180	PA	Glass	17	35	10
BB-6004-B180-10-GL	B180	PA	Glass	20	42	12
BB-6005-B180-10-GL	B180	PA	Glass	25	47	12
BB-6006-B180-10-GL*	B180	PA	Glass	30	55	13
BB-6007-B180-10-GL*	B180	PA	Glass	35	62	14
BB-6008-B180-10-GL*	B180	PA	Glass	40	68	15
BB-6009-B180-10-GL*	B180	PA	Glass	45	75	16
BB-6010-B180-10-GL*	B180	PA	Glass	50	80	16
BB-6011-B180-10-GL*	B180	PA	Glass	55	90	18
BB-6012-B180-10-GL*	B180	PA	Glass	60	95	18

## Radial deep-groove ball bearings



## Order key

## BB-623-B180-10-GL



## Technical data

Part number	Max. static bearing load axial [N]	Static bearing load [N]	Dynamic bearing load [N]	Max. speed [rpm]	Weight [g]
BB-623-B180-10-ES	30	25	35	4,500	0.4
BB-626-B180-10-ES	95	50	70	2,600	2.2
BB-608-B180-10-ES	165	60	84	2,200	3.9
BB-6000-B180-10-ES	285	85	119	1,900	6.1
BB-6001-B180-10-ES	315	105	147	1,750	6.9
BB-6003-B180-10-ES	360	180	250	1,400	11.1
BB-6004-B180-10-ES	400	210	294	1,150	20.2
BB-6005-B180-10-ES	520	240	360	1,050	23.9
BB-6006-B180-10-ES*	640	280	420	900	35.0
BB-6007-B180-10-ES*	720	320	480	800	47.0
BB-6008-B180-10-ES*	800	350	520	750	56.3
BB-6009-B180-10-ES*	900	380	560	650	71.5
BB-6010-B180-10-ES*	950	390	580	600	83.1
BB-6011-B180-10-ES*	1,000	400	600	550	125.2
BB-6012-B180-10-ES*	1,100	420	640	500	129.6
BB-623-B180-10-GL	30	25	35	4,500	0.3
BB-626-B180-10-GL	95	50	70	2,600	1.7
BB-608-B180-10-GL	165	60	84	2,200	2.6
BB-6000-B180-10-GL	285	85	119	1,900	4.0
BB-6001-B180-10-GL	315	105	147	1,750	4.5
BB-6003-B180-10-GL	360	180	250	1,400	7.9
BB-6004-B180-10-GL	400	210	294	1,150	13.6
BB-6005-B180-10-GL	520	240	360	1,050	16.7
BB-6006-B180-10-GL*	640	280	420	900	24.2
BB-6007-B180-10-GL*	720	320	480	800	31.3
BB-6008-B180-10-GL*	800	350	520	750	39.1
BB-6009-B180-10-GL*	900	380	560	650	48.6
BB-6010-B180-10-GL*	950	390	580	600	56.4
BB-6011-B180-10-GL*	1,000	400	600	550	84.4
BB-6012-B180-10-GL*	1,100	420	640	500	85.6



delivery available  
time from stock



prices price list online  
www.igus.eu/eu/xiros



order part number  
example BB-623-B180-10-ES

\*order related