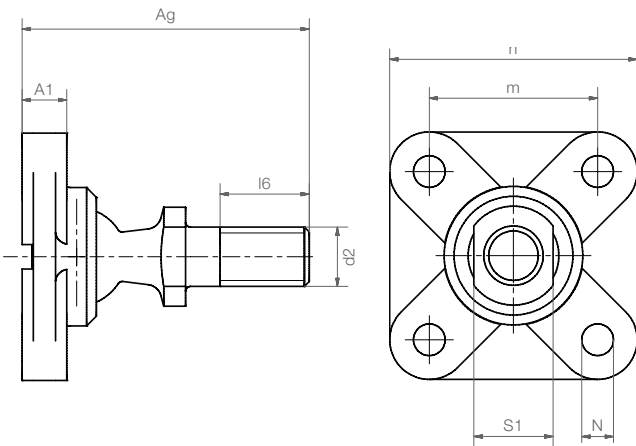


Complete housing with ball stud,
male thread: GFSM-...-AG



- Maintenance free and corrosion-resistant
- Easy connection – easy assembly
- Compensation of misalignments



Order key

Type Size Version

GF S M - 06 - AG

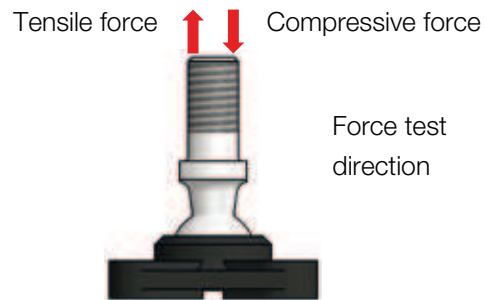


Material:

Housing: **igumid G** ▶ Page 1235

Ball stud: **galvanised steel**²⁸⁾

Other ball stud materials on request



Technical data

Part No.	Max. axial tensile force		Max. axial compressive force		Weight [g]
	Short term [N]	Long term [N]	Short term [N]	Long term [N]	
GFSM-06-AG	150	75	350	175	10.6
GFSM-08-AG	250	125	750	375	23.1
GFSM-10-AG	140	70	1,200	600	41.2

Dimensions [mm]

Part No.	d2	m	h	Ag	A1	I6	N	S1	Max. pivot angle
GFSM-06-AG	M6	17.0	25.0	29.0	4.5	10.5	3.2	SW8	32°
GFSM-08-AG	M8	22.0	33.0	36.0	5.5	13.5	4.3	SW11	34°
GFSM-10-AG	M10	26.0	38.0	43.5	6.5	16.0	5.3	SW13	40°

²⁸⁾ Stainless steel ball stud on request