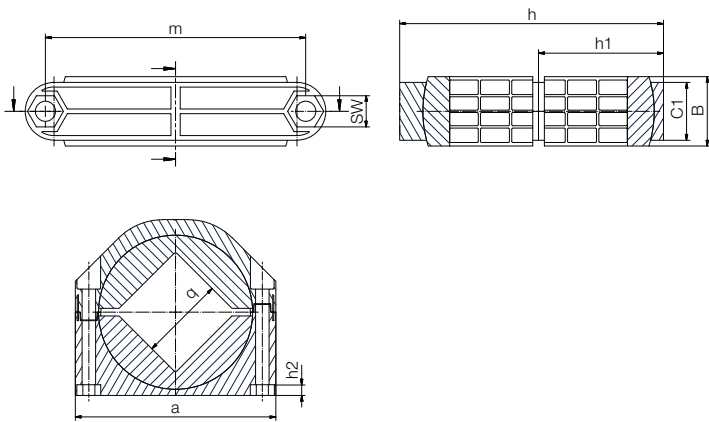


Split pillow block bearing for square profiles: ESQM



Order key

Type	Size [mm]
------	-----------

E SQ M-GT 110

Dimensional series E

Split pillow block bearing
for square profiles

Metric

Split

Edge length



Material:

Housing: **igumid G** ▶ Page 1496

Spherical ball: **iglidur® J4** ▶ Page 1494

- Profile 110 x 110 mm
- Split version of housing and spherical balls
- Easy assembly and disassembly
- High loads
- Lightweight
- Compensation of misalignment errors

Dimensions [mm]

Part No.	q +1	SW	h	h1	h2	a	m	B	C1	Weight [g]
ESQM-110	110.5	27	228	108	13.6	260	225	60	50	1,255