

# igubal® Flange Bearing - Product range

## EFOM - Flange bearing - 2 holes - mm



- iglide® L280 (W300) highly wear resistant spherical ball
- Easy to install
- Compensation of misalignment errors
- Corrosion-resistance
- Lightweight
- Maintenance-free, self-lubricating

### Dimensions [mm]

Part No.	d1 [E10]	dB	H	L	J Hole pitch	A1 Height of housing	Ag Total height	N Bore diameter d x 1
EFOM-04	4	14.0	33.8	16.0	24.0	4.5	8.0	3.2 x 5.0
EFOM-05	5	14.0	33.8	16.0	24.0	4.5	8.5	3.2 x 5.0
EFOM-06	6	14.0	33.8	16.0	24.0	4.5	8.5	3.2 x 5.5
EFOM-08	8	18.0	44.2	22.0	31.0	5.5	10.5	4.3 x 6.5
EFOM-10	10	22.0	52.0	26.0	36.0	6.5	12.0	5.3 x 8.0
EFOM-12	12	25.0	56.7	31.0	41.0	7.0	13.0	5.3 x 8.0
EFOM-15	15	30.0	68.6	36.0	50.0	8.5	15.5	6.4 x 10.0
EFOM-16	16	32.0	72.6	38.0	53.0	10.0	17.5	6.4 x 10.1
EFOM-17	17	35.0	74.6	41.0	55.0	10.0	18.0	6.4 x 10.2
EFOM-20	20	40.0	89.0	47.0	65.0	11.0	20.0	8.4 x 12.5
EFOM-25	25	48.5	101.0	58.5	75.0	14.0	25.0	8.4 x 12.6
EFOM-30	30	55.0	118.0	65.0	87.5	15.0	26.0	10.5 x 16.0

### Spherical ball materials to choose ► Page 857



J4VEM:  
clearance free,  
preloaded



JEM: low  
moisture  
absorption



REM:  
low-cost

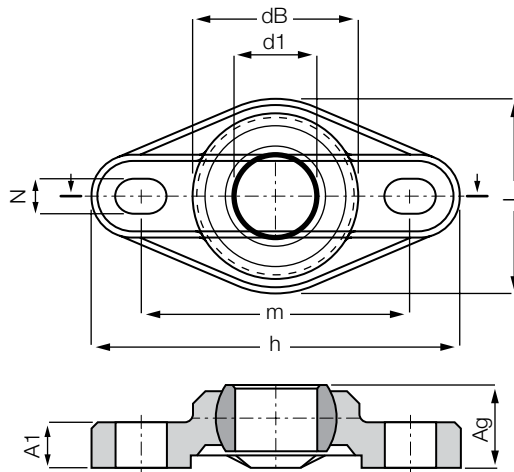


J4EM: low-cost  
and low moisture  
absorption

# igubal® Flange Bearing - Product range

EFOM - Flange bearing - 2 holes - mm

igubal®  
flange  
bearing



Order key

Type Size

**E F O M - 04**

Dimensional E series	Flange bearing	2 holes	Metric	Inner-Ø [mm]
----------------------	----------------	---------	--------	--------------



**Material:**

Housing: **igumid G** ▶ Page 1373  
Spherical ball: **iglide® L280 (W300)\***

## Technical data

Part No.	Maximum static axial load		Maximum static radial load		Maximum static torque Holes [ft lbs]	Maximum pivot angle	Weight [g]
	Short term [lbs]	Long term [lbs]	Short term [lbs]	Long term [ft lbs]			
EFOM-04	90	45	168	84	0.44	28°	1.9
EFOM-05	90	45	168	84	0.44	29°	2.3
EFOM-06	112	56	180	90	0.44	25°	1.8
EFOM-08	158	78	247	124	0.96	25°	4.1
EFOM-10	191	96	450	225	1.84	25°	6.8
EFOM-12	247	124	495	247	1.84	21°	8.9
EFOM-15	292	146	540	270	3.32	20°	15.0
EFOM-16	315	158	629	315	3.32	27°	17.7
EFOM-17	405	202	719	360	3.32	21°	24.9
EFOM-20	405	202	1236	618	7.74	19°	32.8
EFOM-25	674	337	1348	674	7.74	15°	58.5
EFOM-30	687	393	1461	730	15.86	14°	78.9

▶ Tolerance Table, Page 75

\*W300 is the European material equivalent for iglide® L280.