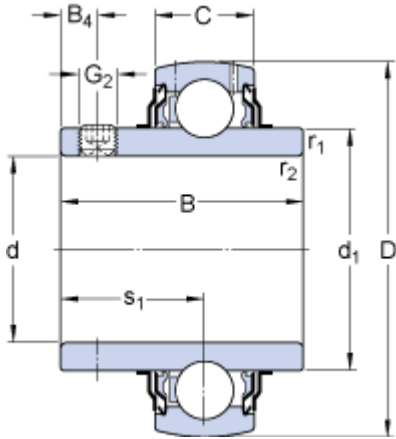


YAR 204 - 2 F

Dimensions



d	20	mm
D	47	mm
B	31	mm
C	14	mm
d_1	\approx 28.2	mm
B_4	4.5	mm
$r_{1,2}$	min. 0.6	mm
s_1	18.3	mm

Calculation data

Basic dynamic load rating	C	12.7	kN
Basic static load rating	C_0	6.55	kN
Fatigue load limit	P_u	0.28	kN
Limiting speed ¹⁾		8500	r/min
Calculation factor	f_0	13	

Mass

Mass complete bearing	0.15	kg
-----------------------	-------------	----

Mounting information

Thread grub screw	G_2	M 6 x 0.75
Hexagonal key size for grub screw	N	3 mm
Recommended tightening torque for grub screw		4 N·m

Associated products

Rubber seating ring	RIS 204
---------------------	----------------

