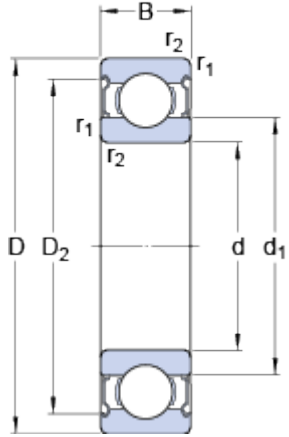


6308-2Z

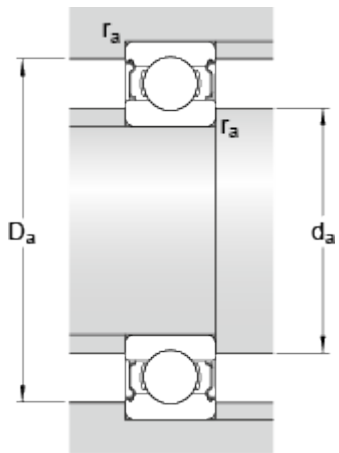
SKF Explorer

Dimensions



d	40	mm
D	90	mm
B	23	mm
d ₁	56.11	mm
D ₂	77.7	mm
r _{1,2}	min. 1.5	mm

Abutment dimensions



d _a	min. 49	mm
d _a	max. 56	mm
D _a	max. 81	mm
r _a	max. 1.5	mm

Calculation data

Basic dynamic load rating	C	42.3	kN
Basic static load rating	C ₀	24	kN
Fatigue load limit	P _u	1	kN
Reference speed		17000	r/min
Limiting speed		8500	r/min
Calculation factor	k _r	0.03	
Calculation factor	f ₀	13.2	

Mass

Mass bearing	0.654	kg
--------------	-------	----

