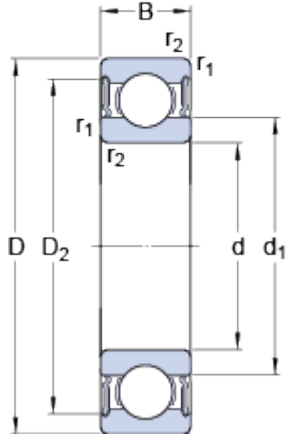


# 6308-2RS1

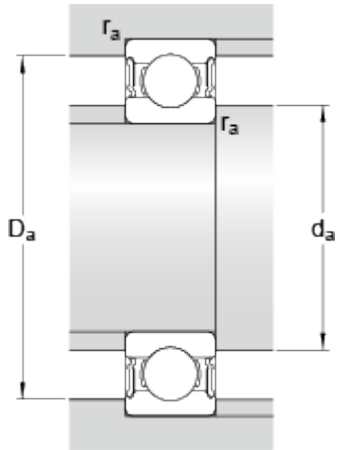
SKF Explorer

## Dimensions



d	40	mm
D	90	mm
B	23	mm
d <sub>1</sub>	56.11	mm
D <sub>2</sub>	77.7	mm
r <sub>1,2</sub>	min. 1.5	mm

## Abutment dimensions



d <sub>a</sub>	min. 49	mm
d <sub>a</sub>	max. 56	mm
D <sub>a</sub>	max. 81	mm
r <sub>a</sub>	max. 1.5	mm

## Calculation data

Basic dynamic load rating	C	42.3	kN
Basic static load rating	C <sub>0</sub>	24	kN
Fatigue load limit	P <sub>u</sub>	1	kN
Limiting speed		5000	r/min
Calculation factor	k <sub>r</sub>	0.03	
Calculation factor	f <sub>0</sub>	13.2	

## Mass

Mass bearing	0.646	kg
--------------	-------	----