

# 6307-2Z

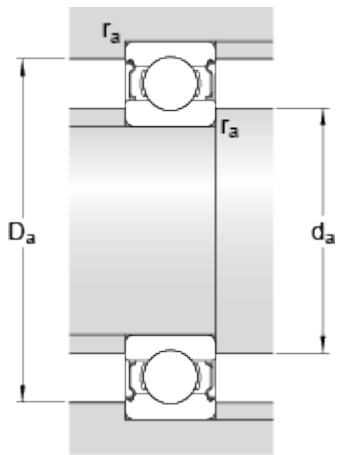
SKF Explorer

## Dimensions



d	35	mm
D	80	mm
B	21	mm
d <sub>1</sub>	49.56	mm
D <sub>2</sub>	69.2	mm
r <sub>1,2</sub>	min. 1.5	mm

## Abutment dimensions



d <sub>a</sub>	min. 44	mm
d <sub>a</sub>	max. 49.5	mm
D <sub>a</sub>	max. 71	mm
r <sub>a</sub>	max. 1.5	mm

## Calculation data

Basic dynamic load rating	C	35.1	kN
Basic static load rating	C <sub>0</sub>	19	kN
Fatigue load limit	P <sub>u</sub>	0.815	kN
Reference speed		19000	r/min
Limiting speed		9500	r/min
Calculation factor	k <sub>r</sub>	0.03	
Calculation factor	f <sub>0</sub>	13.1	

## Mass

Mass bearing	0.475	kg
--------------	-------	----

