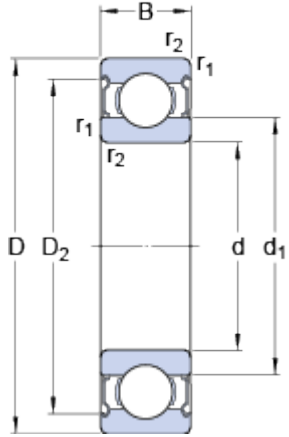


# 6306-2Z

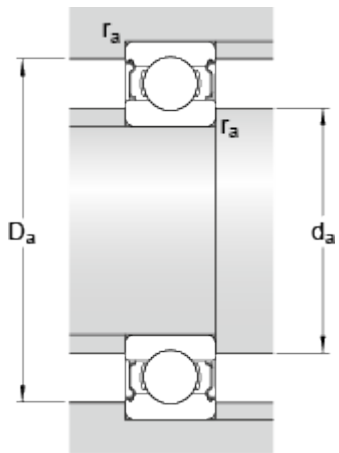
SKF Explorer

## Dimensions



d	30	mm
D	72	mm
B	19	mm
d <sub>1</sub>	44.6	mm
D <sub>2</sub>	61.88	mm
r <sub>1,2</sub>	min. 1.1	mm

## Abutment dimensions



d <sub>a</sub>	min. 37	mm
d <sub>a</sub>	max. 44.5	mm
D <sub>a</sub>	max. 65	mm
r <sub>a</sub>	max. 1	mm

## Calculation data

Basic dynamic load rating	C	29.6	kN
Basic static load rating	C <sub>0</sub>	16	kN
Fatigue load limit	P <sub>u</sub>	0.67	kN
Reference speed		20000	r/min
Limiting speed		11000	r/min
Calculation factor	k <sub>r</sub>	0.03	
Calculation factor	f <sub>0</sub>	13.1	

## Mass

Mass bearing	0.363	kg
--------------	-------	----

