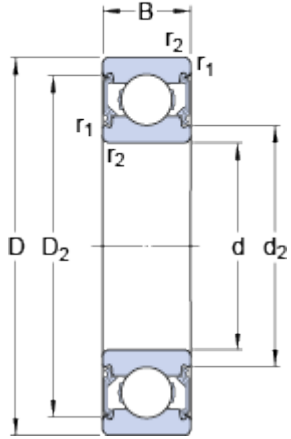


6304-2RSH

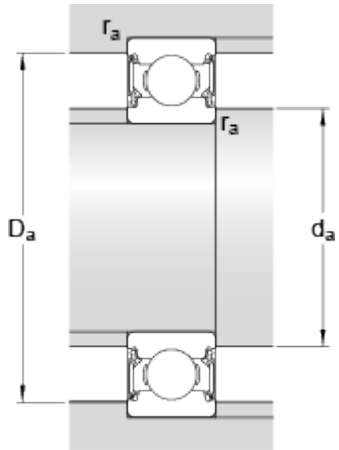
SKF Explorer

Dimensions



d	20	mm
D	52	mm
B	15	mm
d ₂	26.9	mm
D ₂	44.71	mm
r _{1,2}	min. 1.1	mm

Abutment dimensions



d _a	min. 27	mm
d _a	max. 27	mm
D _a	max. 45	mm
r _a	max. 1	mm

Calculation data

Basic dynamic load rating	C	16.8	kN
Basic static load rating	C ₀	7.8	kN
Fatigue load limit	P _u	0.335	kN
Limiting speed		9500	r/min
Calculation factor	k _r	0.03	
Calculation factor	f ₀	12	

Mass

Mass bearing	0.151	kg
--------------	-------	----