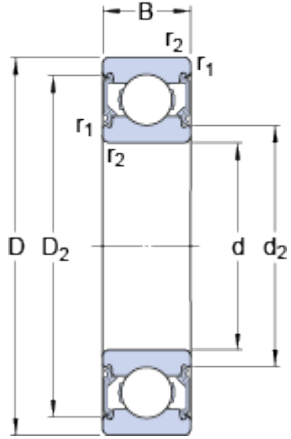


6303-2RSH

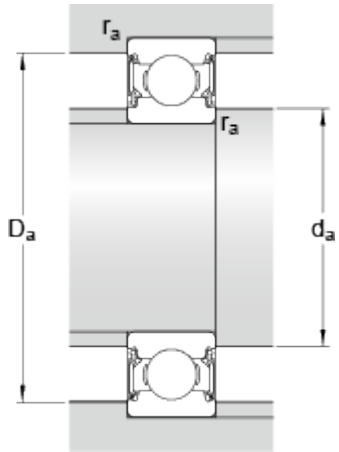
SKF Explorer

Dimensions



| | | |
|------------------|--------|----|
| d | 17 | mm |
| D | 47 | mm |
| B | 14 | mm |
| d ₂ | 23.4 | mm |
| D ₂ | 39.58 | mm |
| r _{1,2} | min. 1 | mm |

Abutment dimensions



| | | |
|----------------|-----------|----|
| d _a | min. 22.6 | mm |
| d _a | max. 23.5 | mm |
| D _a | max. 41.4 | mm |
| r _a | max. 1 | mm |

Calculation data

| | | | |
|---------------------------|----------------|-------|-------|
| Basic dynamic load rating | C | 14.3 | kN |
| Basic static load rating | C ₀ | 6.6 | kN |
| Fatigue load limit | P _u | 0.275 | kN |
| Limiting speed | | 11000 | r/min |
| Calculation factor | k _r | 0.03 | |
| Calculation factor | f ₀ | 12 | |

Mass

| | | | |
|--------------|--|-------|----|
| Mass bearing | | 0.116 | kg |
|--------------|--|-------|----|