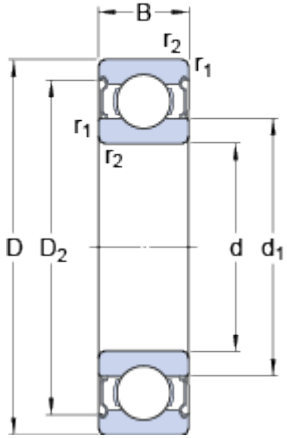


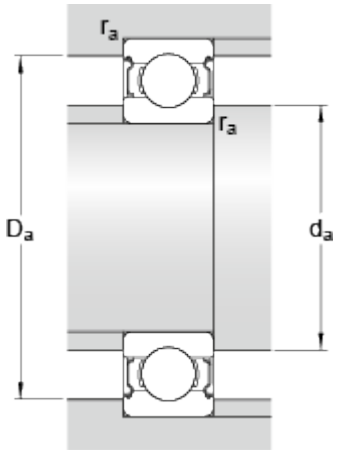
624-2Z

Dimensions



d	4	mm
D	13	mm
B	5	mm
d ₁	6.7	mm
D ₂	11.2	mm
r _{1,2}	min. 0.2	mm

Abutment dimensions



d _a	min. 5.8	mm
d _a	max. 6.6	mm
D _a	max. 11.2	mm
r _a	max. 0.2	mm

Calculation data

Basic dynamic load rating	C	0.936	kN
Basic static load rating	C ₀	0.29	kN
Fatigue load limit	P _u	0.012	kN
Reference speed		110000	r/min
Limiting speed		53000	r/min
Calculation factor	k _r	0.025	
Calculation factor	f ₀	7.3	

Mass

Mass bearing	0.0031	kg
--------------	--------	----

