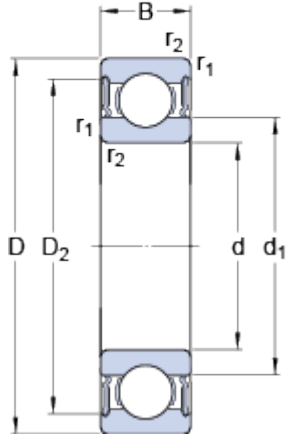


6210-2RS1

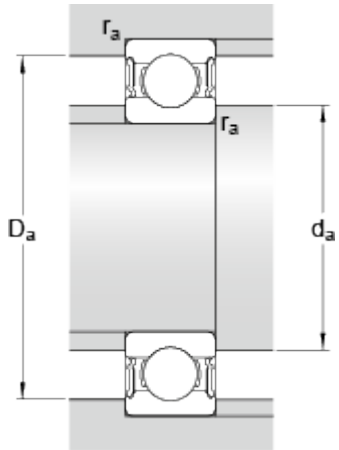
SKF Explorer

Dimensions



d	50	mm
D	90	mm
B	20	mm
d ₁	62.51	mm
D ₂	81.61	mm
r _{1,2}	min. 1.1	mm

Abutment dimensions



d _a	min. 57	mm
d _a	max. 62.4	mm
D _a	max. 83	mm
r _a	max. 1	mm

Calculation data

Basic dynamic load rating	C	37.1	kN
Basic static load rating	C ₀	23.2	kN
Fatigue load limit	P _u	0.98	kN
Limiting speed		4800	r/min
Calculation factor	k _r	0.025	
Calculation factor	f ₀	14.4	

Mass

Mass bearing	0.472	kg
--------------	-------	----