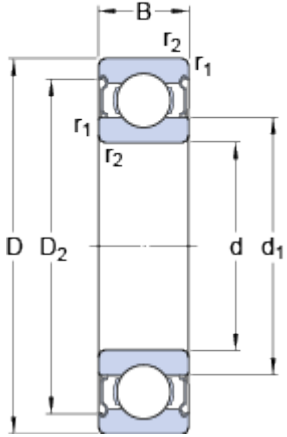


6206-2Z

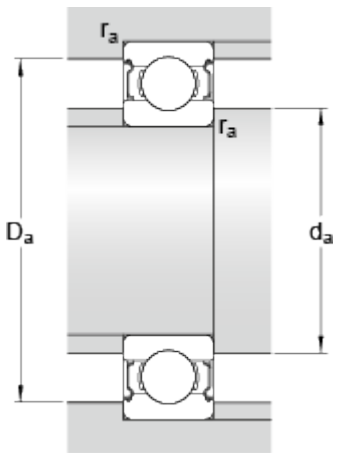
SKF Explorer

Dimensions



d	30	mm
D	62	mm
B	16	mm
d ₁	40.36	mm
D ₂	54.06	mm
r _{1,2}	min. 1	mm

Abutment dimensions



d _a	min. 35.6	mm
d _a	max. 40.3	mm
D _a	max. 56.4	mm
r _a	max. 1	mm

Calculation data

Basic dynamic load rating	C	20.3	kN
Basic static load rating	C ₀	11.2	kN
Fatigue load limit	P _u	0.475	kN
Reference speed		24000	r/min
Limiting speed		12000	r/min
Calculation factor	k _r	0.025	
Calculation factor	f ₀	13.8	

Mass

Mass bearing	0.207	kg
--------------	-------	----

