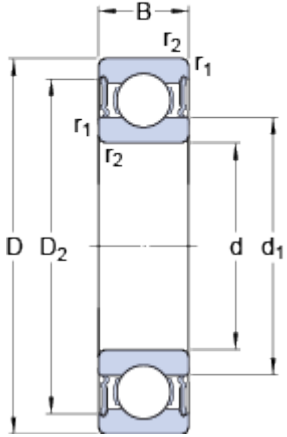


# 6206-2RS1

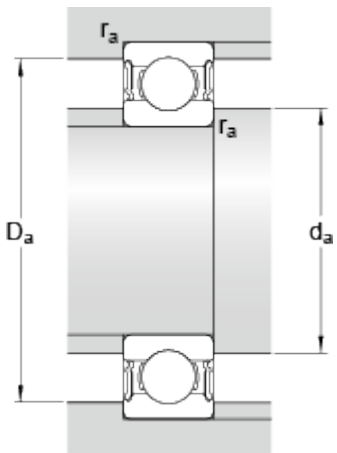
SKF Explorer

## Dimensions



d	30	mm
D	62	mm
B	16	mm
d <sub>1</sub>	40.36	mm
D <sub>2</sub>	54.06	mm
r <sub>1,2</sub>	min. 1	mm

## Abutment dimensions



d <sub>a</sub>	min. 35.6	mm
d <sub>a</sub>	max. 40.3	mm
D <sub>a</sub>	max. 56.4	mm
r <sub>a</sub>	max. 1	mm

## Calculation data

Basic dynamic load rating	C	20.3	kN
Basic static load rating	C <sub>0</sub>	11.2	kN
Fatigue load limit	P <sub>u</sub>	0.475	kN
Limiting speed		7500	r/min
Calculation factor	k <sub>r</sub>	0.025	
Calculation factor	f <sub>0</sub>	14	

## Mass

Mass bearing	0.206	kg
--------------	-------	----