

# 6204-2Z

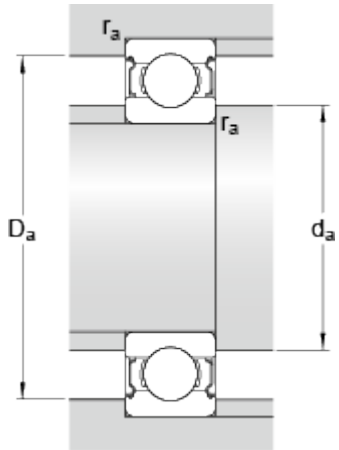
SKF Explorer

## Dimensions



d	20	mm
D	47	mm
B	14	mm
d <sub>1</sub>	28.8	mm
D <sub>2</sub>	40.59	mm
r <sub>1,2</sub>	min. 1	mm

## Abutment dimensions



d <sub>a</sub>	min. 25.6	mm
d <sub>a</sub>	max. 28.7	mm
D <sub>a</sub>	max. 41.4	mm
r <sub>a</sub>	max. 1	mm

## Calculation data

Basic dynamic load rating	C	13.5	kN
Basic static load rating	C <sub>0</sub>	6.6	kN
Fatigue load limit	P <sub>u</sub>	0.28	kN
Reference speed		32000	r/min
Limiting speed		17000	r/min
Calculation factor	k <sub>r</sub>	0.025	
Calculation factor	f <sub>0</sub>	13	

## Mass

Mass bearing	0.11	kg
--------------	------	----

