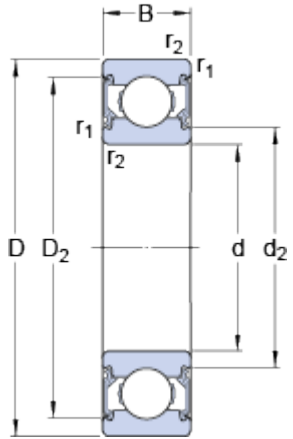


# 6203-2RSH

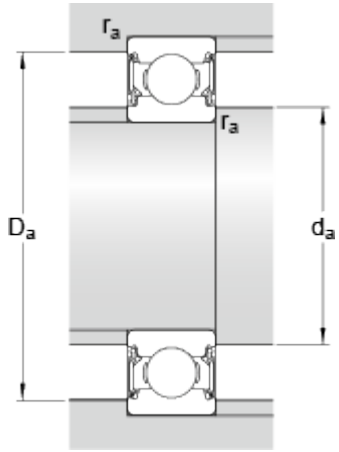
SKF Explorer

## Dimensions



d	17	mm
D	40	mm
B	12	mm
d <sub>2</sub>	≈ 21.7	mm
D <sub>2</sub>	≈ 34.9	mm

## Abutment dimensions



d <sub>a</sub>	min.	21.2	mm
d <sub>a</sub>	max.	22	mm
D <sub>a</sub>	max.	35.8	mm
r <sub>a</sub>	max.	0.6	mm

## Calculation data

Basic dynamic load rating	C	9.9	kN
Basic static load rating	C <sub>0</sub>	4.7	kN
Fatigue load limit	P <sub>u</sub>	0.2	kN
Limiting speed		12000	r/min
Calculation factor	k <sub>r</sub>	0.025	
Calculation factor	f <sub>0</sub>	13	

## Mass

Mass bearing	0.0667	kg
--------------	--------	----